



Steering Columns System

Injection plastic
covers

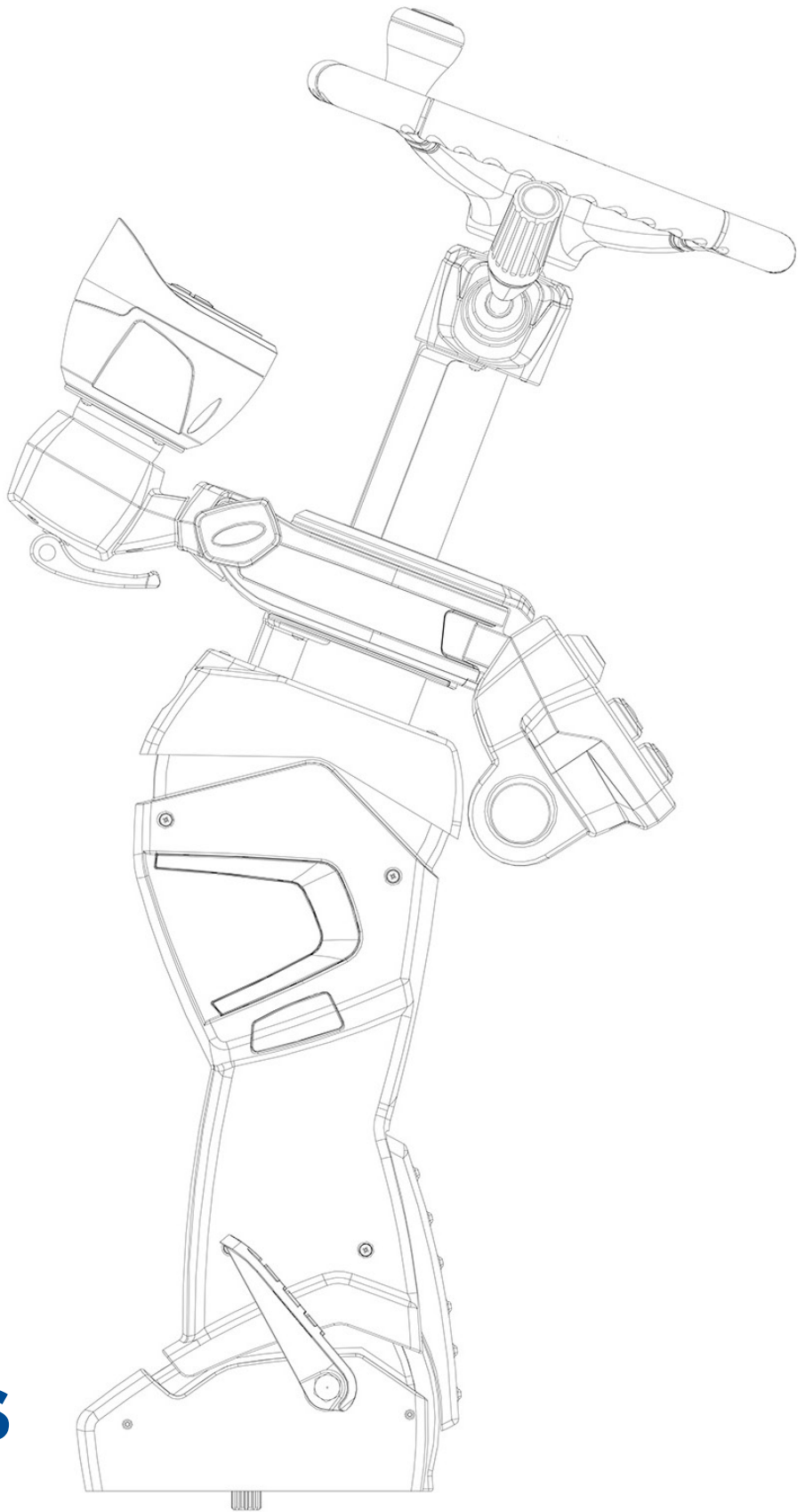
EU SAFETY & QUALITY STANDARD
CUSTOMIZED ASSEMBLY
ITALIAN DESIGN
OPERATOR COMFORT

ama

IMEL Division

Steering Columns

Catalogue





CLVIEW
pag. 6



CLVIEW
Short and Medium
pag. 7



CL501
pag. 8



CL501
Short
pag. 9



CL701
pag. 10



CL701
Short
pag. 11



CL2100
pag. 12



CL2100
Short and Medium
pag. 13



CL2300-I
pag. 14



CL2300-I MCD
pag. 15



CL2350
pag. 16



CL4000
pag. 17



CL5000 J
pag. 18



CL5000 J
Short
pag. 19



CL6000
pag. 20



CL6000
Short
pag. 21



CL7000
pag. 22



CL7000
Short
pag. 23



SERIE 6
pag. 26



SERIE 8
pag. 26



SERIE 9
pag. 27



SERIE 10
pag. 27



SERIE 11
pag. 28



SERIE 12
pag. 28



SERIE 18
pag. 29



Knob
pag. 29



J-Cluster
pag. 30



NIMBUS
pag. 30



D100TFT
pag. 30



SMARTVIEW
pag. 31



SLIMITAN
pag. 31



STEERINGVIEW
pag. 31



KEYCAN
pag. 31

CLVIEW Short and Medium

MPR

metal pillar



tilt



75 mm

RAL 9005

RAL 7015



STANDARD FEATURES

Injection plastic covers: RAL9005 or RAL7015

Accommodation for ignition switch

Panel with 2 rocker switches and 4 led indicator lights

Accommodation stalk switches on LH and/or RH side

Dedicated steering wheel + Display 7" (page 31)

Wiring harness (standard or customized)

SINGLE TILT ADJUSTMENT

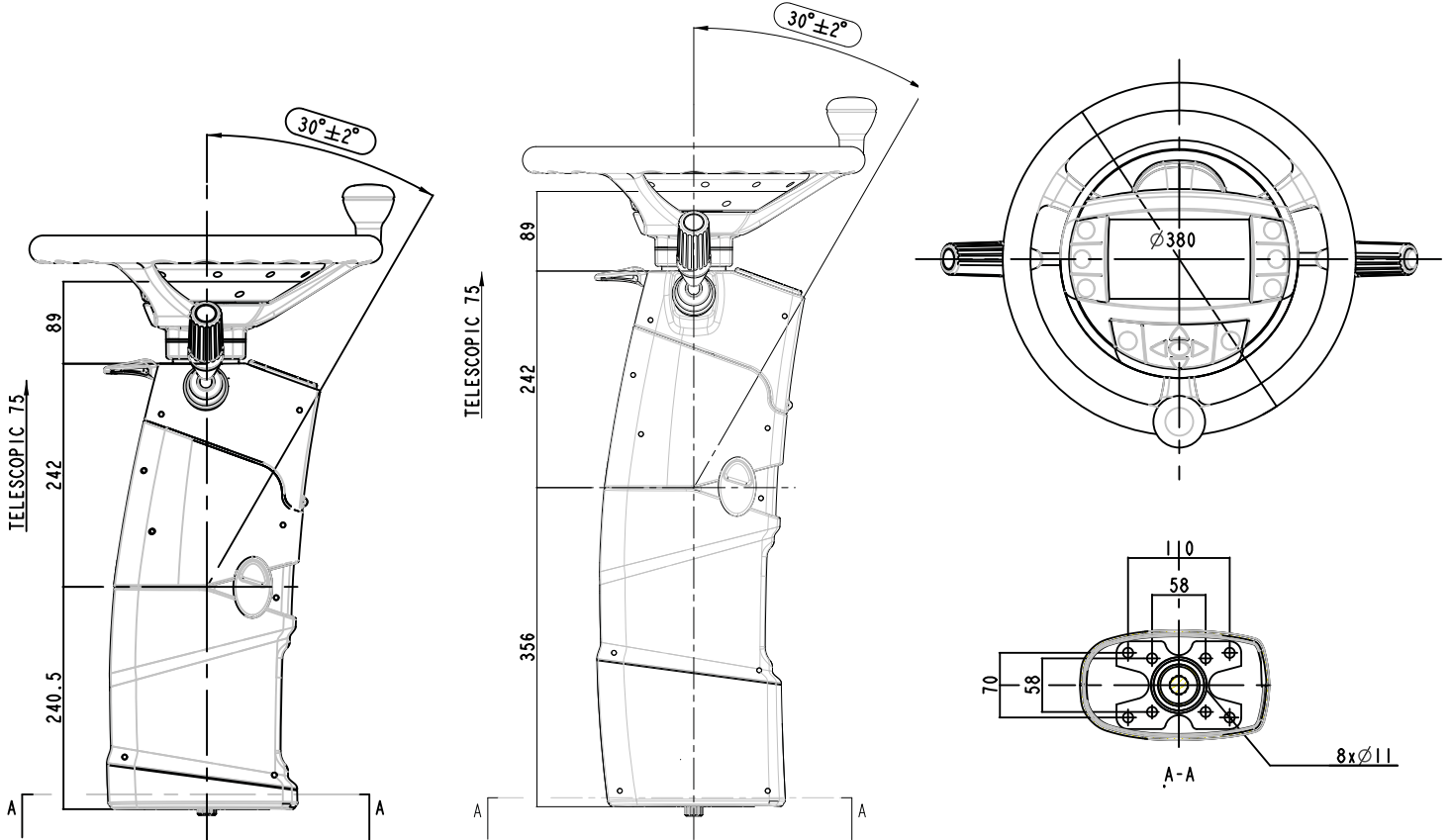
Located at mid column length, operated by push lever on left side (30° toward operator)

Adjustment are gas strut assisted

TELESCOPIC ADJUSTMENT

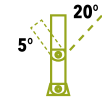
Located onto upper section (75 mm)

Operated by dedicated pull lever located under-near the steering wheel



CL501

BCH



metal pillar

tilt

60 mm

■ RAL 9005

■ RAL 7016

STANDARD FEATURES

Top side thermoformed plastic covers and bottom side injection plastic covers: RAL9005 or RAL7016

Accommodation for ignition switch

Accommodation for Slim Titan display 7" (page 31)

Panel with 6 rocker switches and 1 hazard switch

Accommodation stalk switches on LH and/or RH side

Steering wheel (pages 26, 27, 28, 29)

Wiring harness (standard or customized)

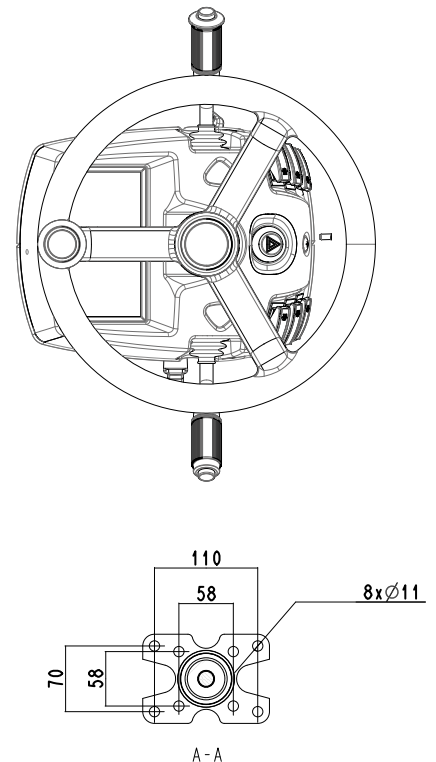
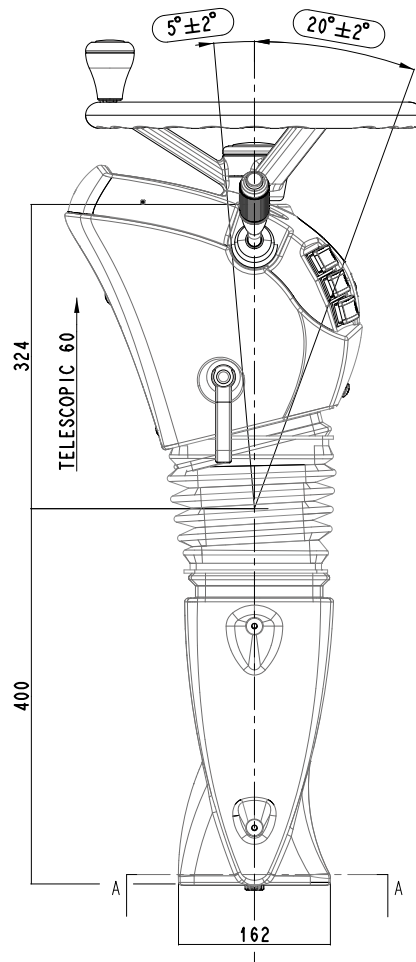
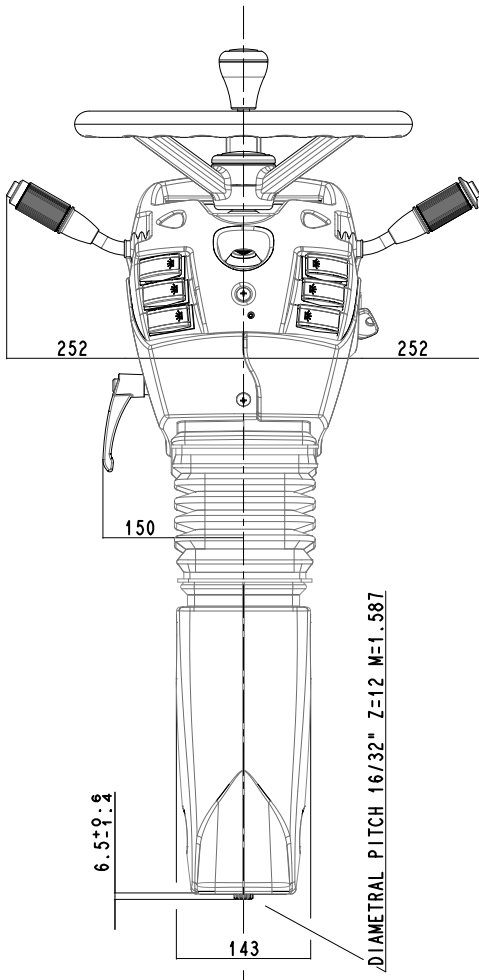
SINGLE TILT ADJUSTMENT

Upper pivot, located at mid column length, operated by handle lever on left side (5° toward windshield 20° toward operator)

TELESCOPIC ADJUSTMENT

Located onto upper section (60 mm)

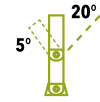
Operated by handle lever on left side



CL501 Short

BCH

metal pillar



tilt



60 mm

■ RAL 9005

■ RAL 7016



STANDARD FEATURES

Top side thermoformed plastic covers and bottom side injection plastic covers: RAL9005 or RAL7016

Accommodation for ignition switch

Accommodation for Slim Titan display 7" (page 31)

Panel with 6 rocker switches and 1 hazard switch

Accommodation stalk switches on LH and/or RH side

Steering wheel (pages 26, 27, 28, 29)

Wiring harness (standard or customized)

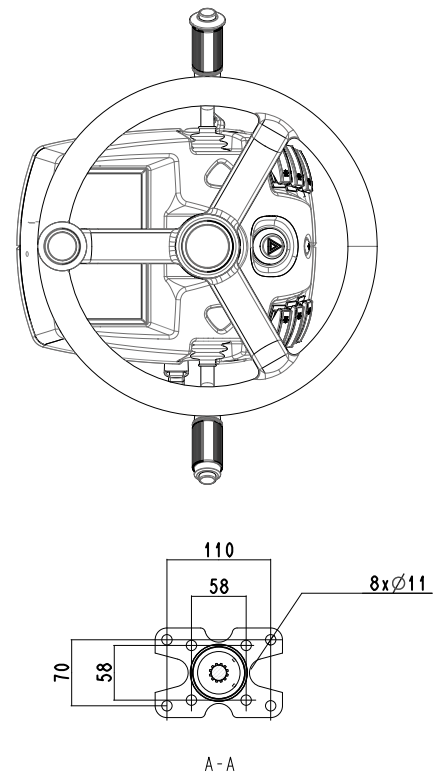
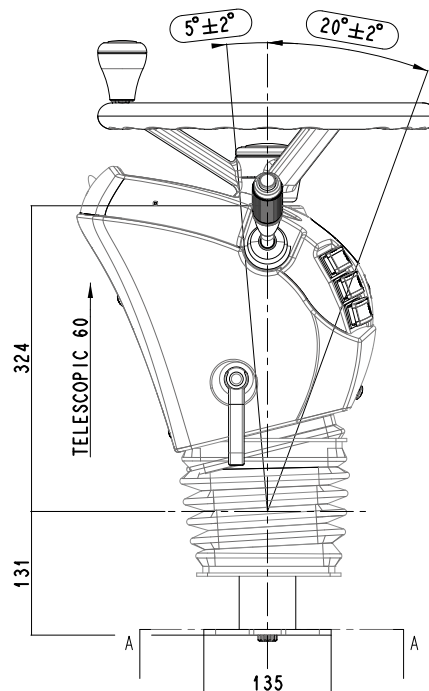
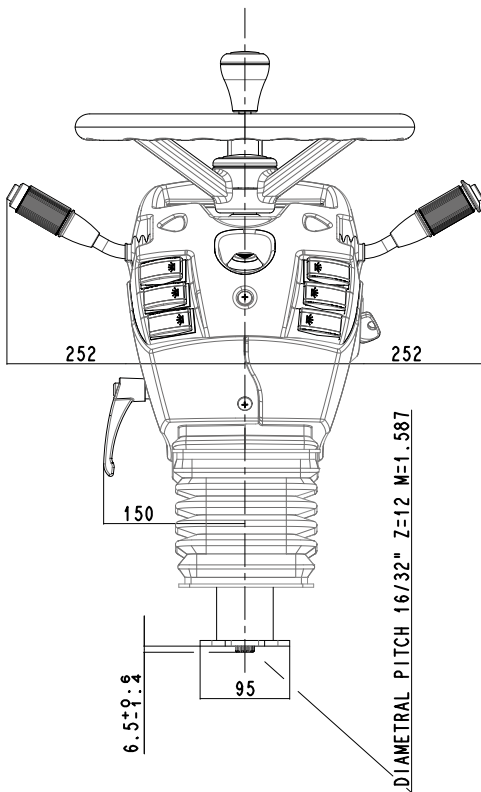
DUAL TILT ADJUSTMENT

Upper pivot, located at mid column length, operated handle lever on left side (5° toward windshield 20° toward operator)

TELESCOPIC ADJUSTMENT

Located onto upper section (60 mm)

Operated by handle lever on left side



CL701

BCH

metal pillar



tilt



60 mm

RAL 9005 **RAL 7016**

STANDARD FEATURES

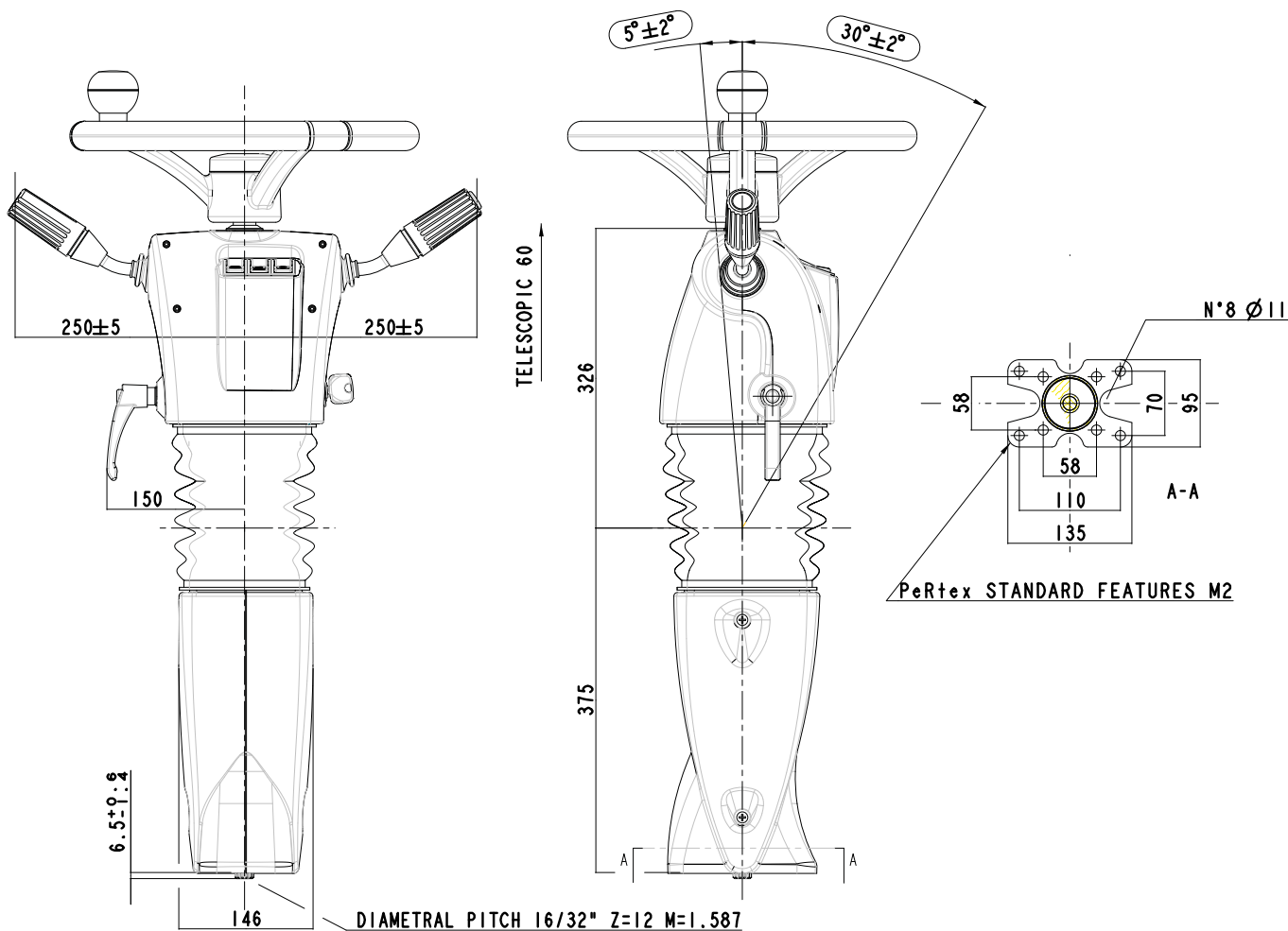
- Injection plastic covers: RAL9005 or RAL7016
- Accommodation for ignition switch
- Accommodation for emergency stop push button
- Panel with 3 rocker switches
- Accommodation stalk switches on LH and/or RH side
- Steering wheel (pages 26, 27, 28, 29)
- Wiring harness (standard or customized)

SINGLE TILT ADJUSTMENT

Upper pivot, located at mid column length, operated by handle lever on left side (5° toward windshield 20° toward operator)

TELESCOPIC ADJUSTMENT

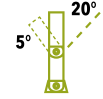
- Located onto upper section (60 mm)
- Operated by handle lever on left side



CL701 Short

BCH

metal pillar



tilt



60 mm

RAL 9005

RAL 7016



STANDARD FEATURES

- Injection plastic covers: RAL9005 or RAL7016
- Accommodation for ignition switch
- Accommodation for emergency stop push button
- Panel with 3 rocker switches
- Accommodation stalk switches on LH and/or RH side
- Steering wheel (pages 26, 27, 28, 29)
- Wiring harness (standard or customized)

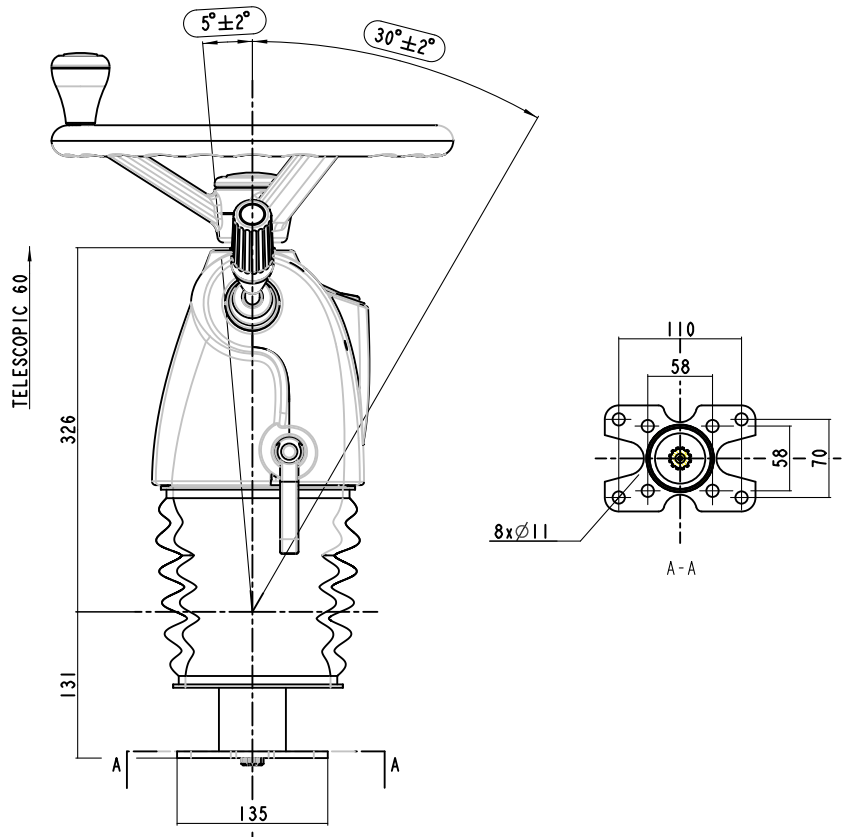
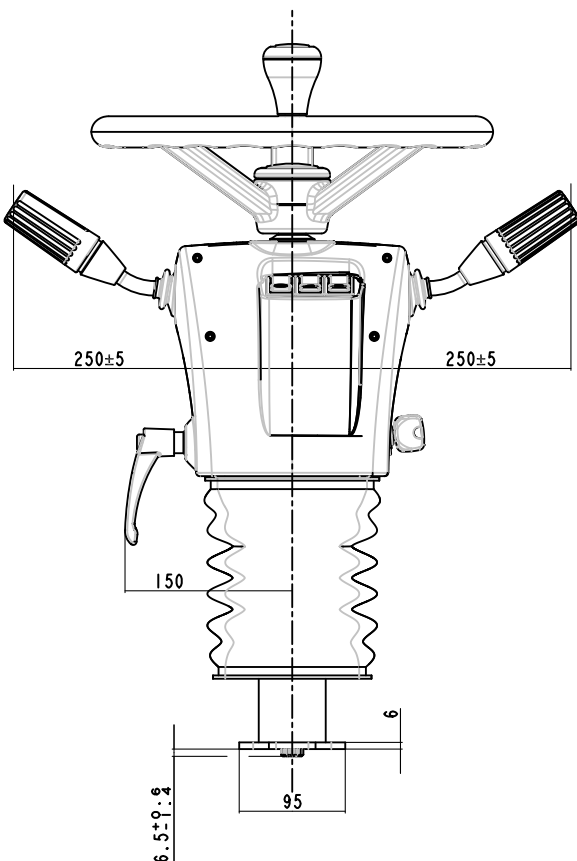
SINGLE TILT ADJUSTMENT

Operated by handle lever on left side
(5° toward windshield 30° toward operator)

TELESCOPIC ADJUSTMENT

Located onto upper section (60 mm)

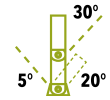
Operated by handle lever on left side



CL2100

MPR

metal pillar



tilt



75 mm

■ RAL 9005

■ RAL 7015



STANDARD FEATURES

Injection plastic covers: RAL9005 or RAL7015

Accommodation for ignition switch

Panel with 2 rocker switches and 4 led indicator lights

Accommodation stalk switches on LH and/or RH side

Steering wheel (pages 26, 27, 28, 29)

Wiring harness (standard or customized)

DUAL TILT ADJUSTMENT

Upper pivot, located at mid column length, operated by push lever on left side (30° toward operator)

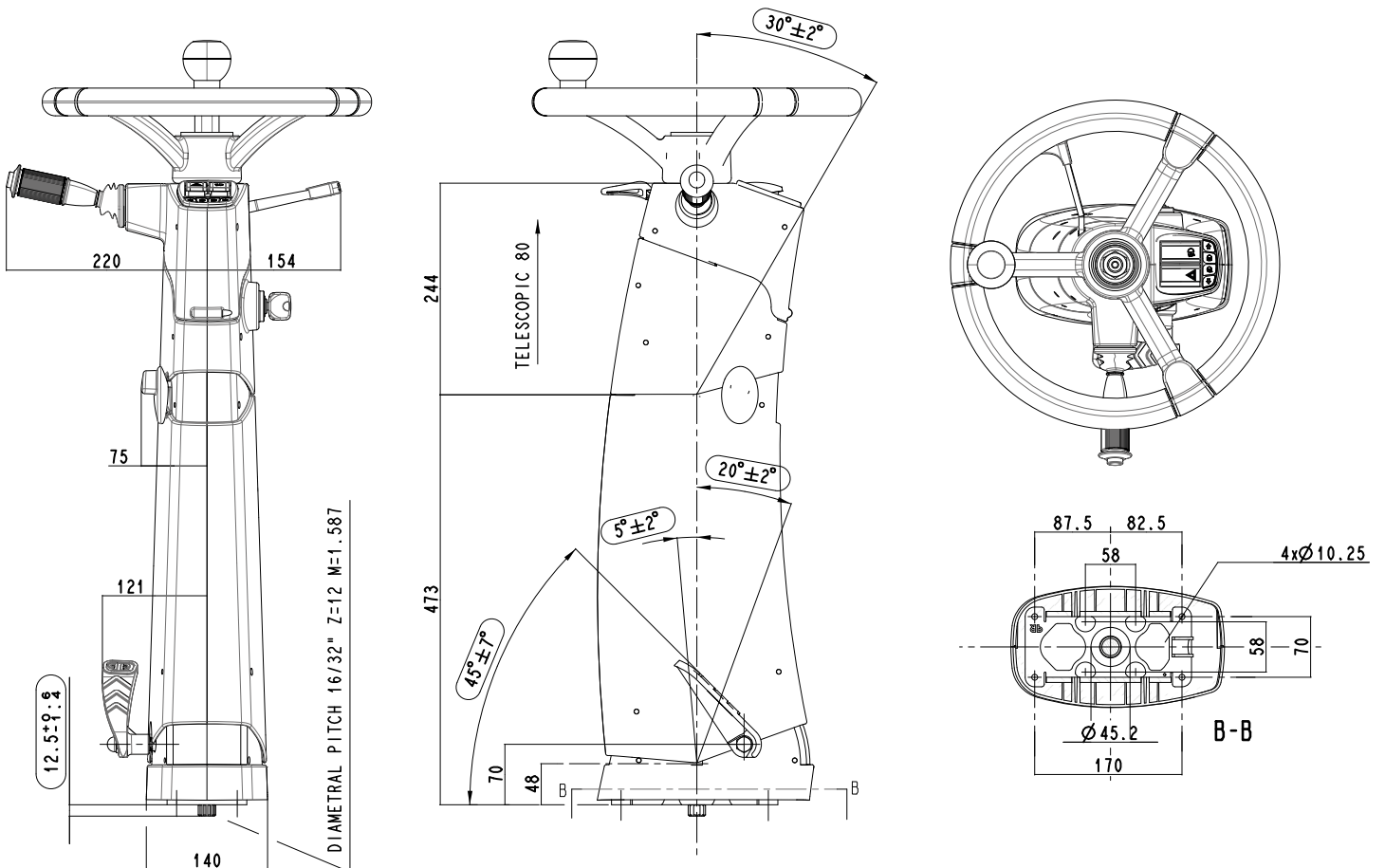
Lower pivot located at the base of the column, operated by a dedicated pedal on left side (5° toward windshield and 20° toward operator)

Both tilt adjustment are gas strut assisted

TELESCOPIC ADJUSTMENT

Located onto upper section (75 mm)

Operated by dedicated pull lever located under-near the steering wheel



CL2100 Short and Medium

MPR

metal pillar



tilt



75 mm

RAL 9005

RAL 7015

STANDARD FEATURES

Injection plastic covers: RAL9005 or RAL7015

Accommodation for ignition switch

Panel with 2 rocker switches and 4 led indicator lights

Accommodation stalk switches on LH and/or RH side

Steering wheel (pages 26, 27, 28, 29)

Wiring harness (standard or customized)

SINGLE TILT ADJUSTMENT

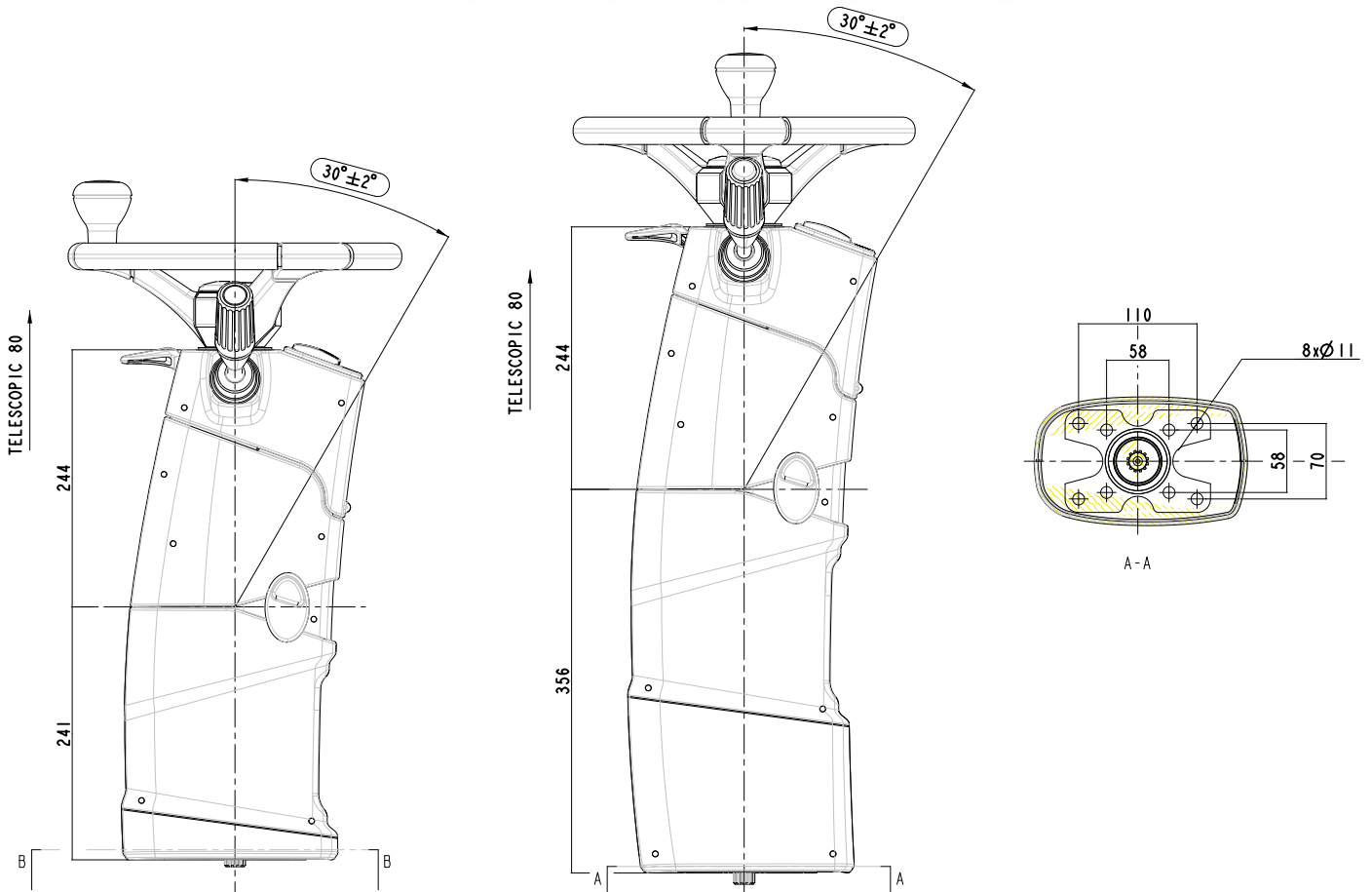
Located at mid column length, operated by push lever on left side (30° toward operator)

Adjustment are gas strut assisted

TELESCOPIC ADJUSTMENT

Located onto upper section (75 mm)

Operated by dedicated pull lever located under-near the steering wheel



CL2300-I

CBK

metal pillar



tilt



50 mm

RAL 9004 **RAL 7016**



STANDARD FEATURES

Injection plastic covers: RAL9004 or RAL7016

Panel with 1 rocker switch

Accommodation stalk switches on LH side

Steering wheel (pages 26, 27, 28, 29)

Wiring harness (standard or customized)

SINGLE TILT ADJUSTMENT

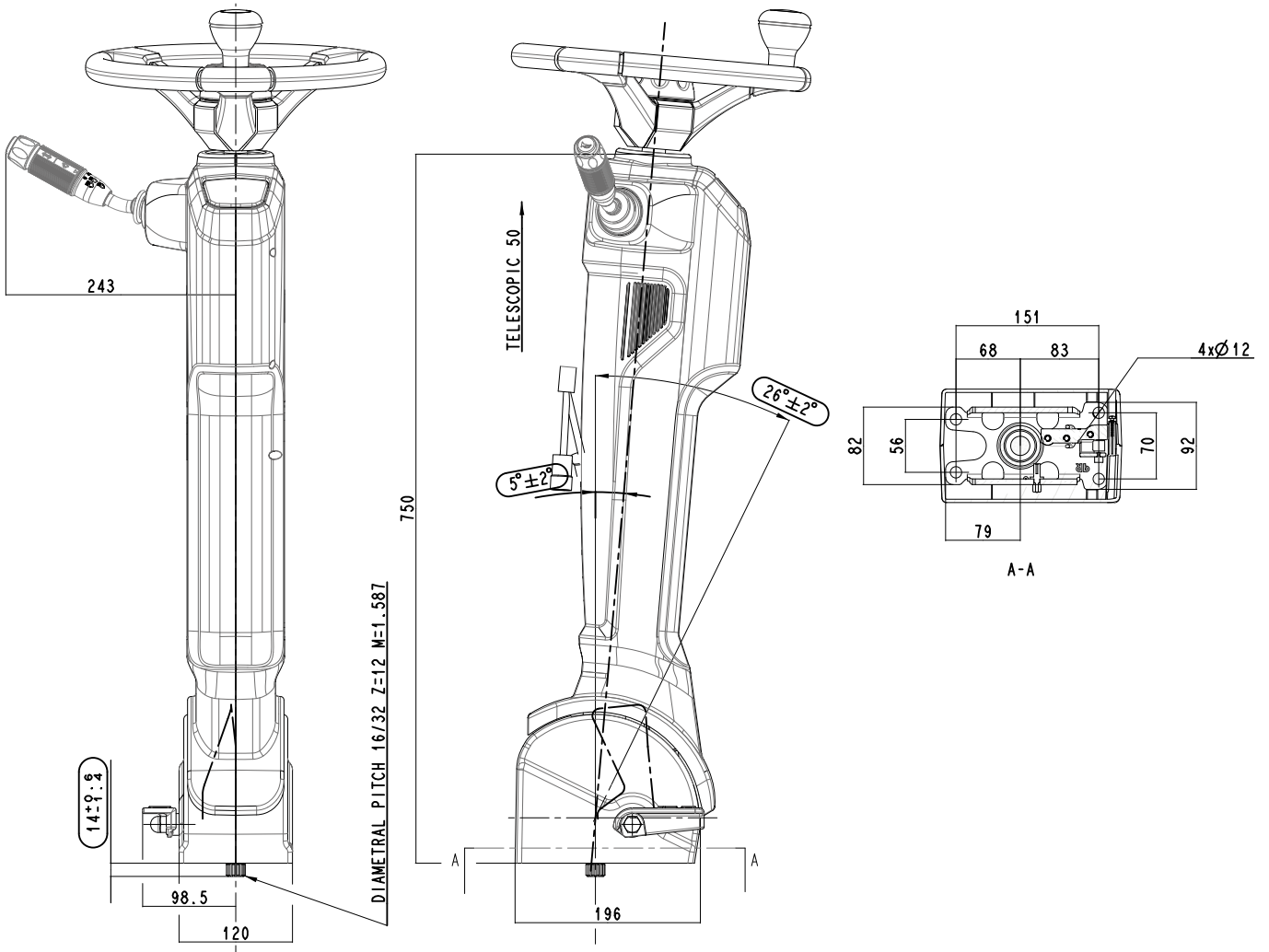
Pivot located at the base of the column, operated by a dedicated pedal on left side (5°+21° toward operator)

Tilt adjustment is gas strut assisted

TELESCOPIC ADJUSTMENT

Located onto upper section (50 mm)

Operated by center cap on steering wheel



CL2300-I MCD

CBK

metal pillar



tilt



50 mm

■ RAL 9004 ■ RAL 7016

STANDARD FEATURES

Injection plastic covers: RAL9004 or RAL7016

Panel with 2 keycan or warning lights module and keycan or Smart-View cluster

Accommodation stalk switches on LH side

Steering wheel (pages 26, 27, 28, 29)

Wiring harness (standard or customized)

SINGLE TILT ADJUSTMENT

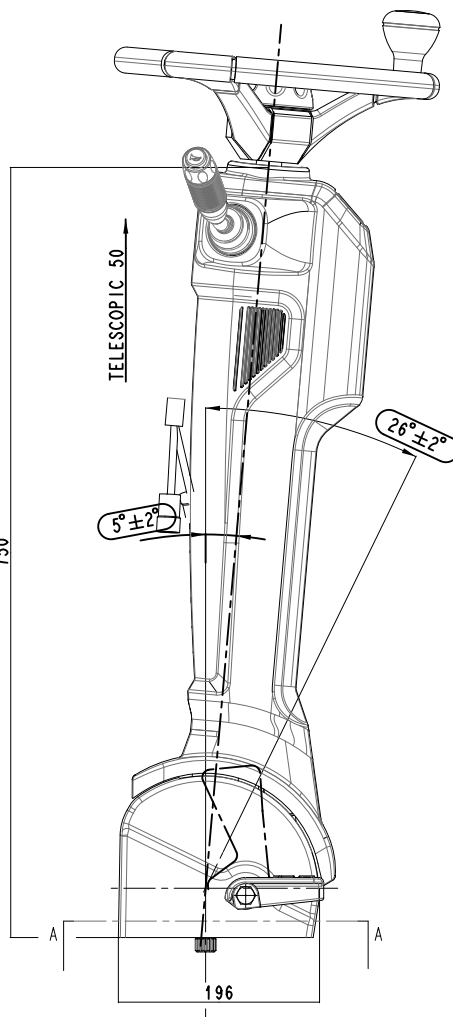
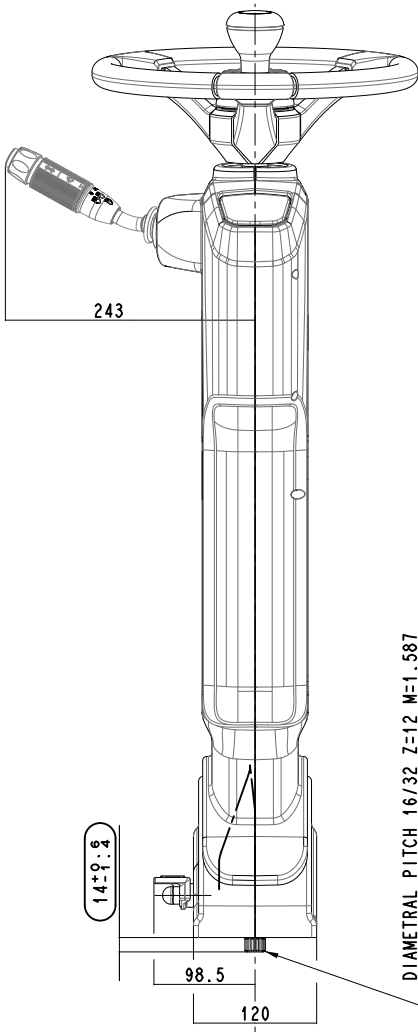
Pivot located at the base of the column, operated by a dedicated pedal on left side (5°+21° toward operator)

Tilt adjustment is gas strut assisted

TELESCOPIC ADJUSTMENT

Located onto upper section (50 mm)

Operated by center cap on steering wheel



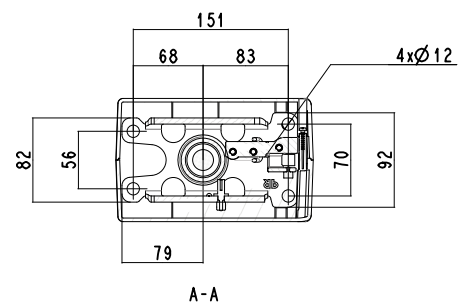
Keycan + Keycan



Warning Lights Module + Keycan



Smartview



CL2350

CBK



metal pillar

tilt

80 mm

RAL 9005

RAL 7016

STANDARD FEATURES

Injection plastic covers: RAL9005 or RAL7016

Accommodation stalk switches on LH and/or RH sides

Steering wheel (pages 26, 27, 28, 29)

Wiring harness (standard or customized)

SINGLE TILT ADJUSTMENT

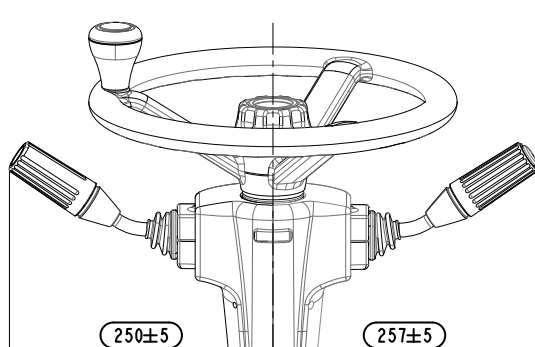
Pivot located at the base of the column, operated by a dedicated pedal in central position (start position 14°, move 5° toward windshield and 10° toward operator)

Adjustment are gas strut assisted

TELESCOPIC ADJUSTMENT

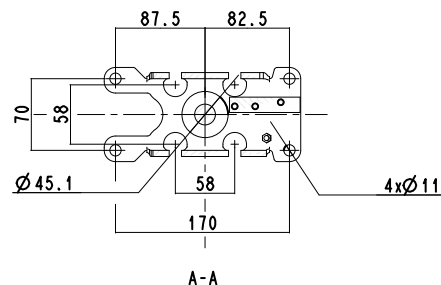
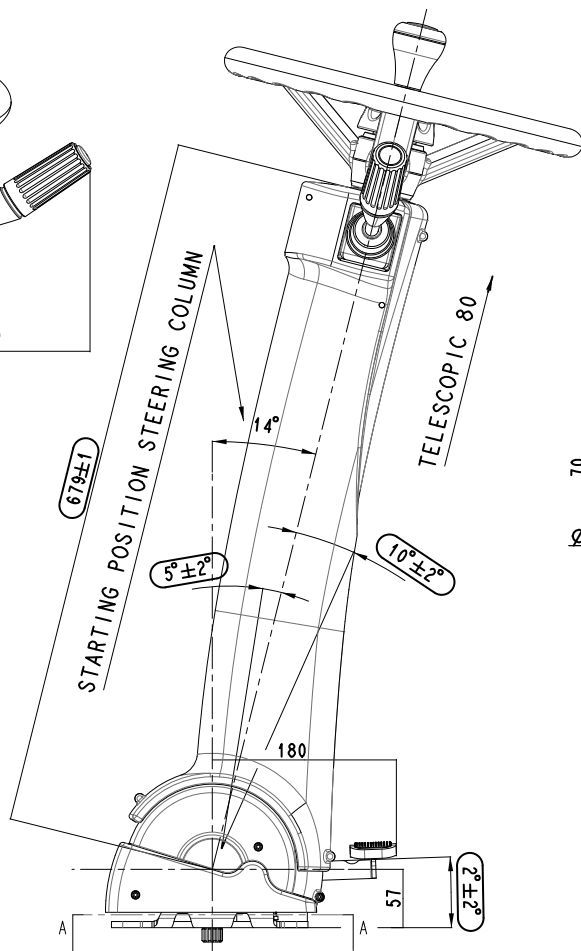
Located onto upper section (80 mm)

Operated by center cap on steering wheel



14±0.6

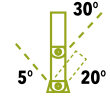
DIAMETRAL PITCH 16/32 Z=12 M=1.587



CL4000

MPR

metal pillar



tilt



50 mm

■ RAL 9005 ■ RAL 7016

STANDARD FEATURES

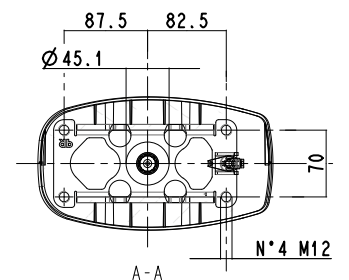
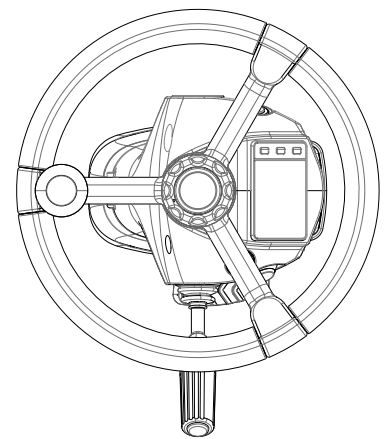
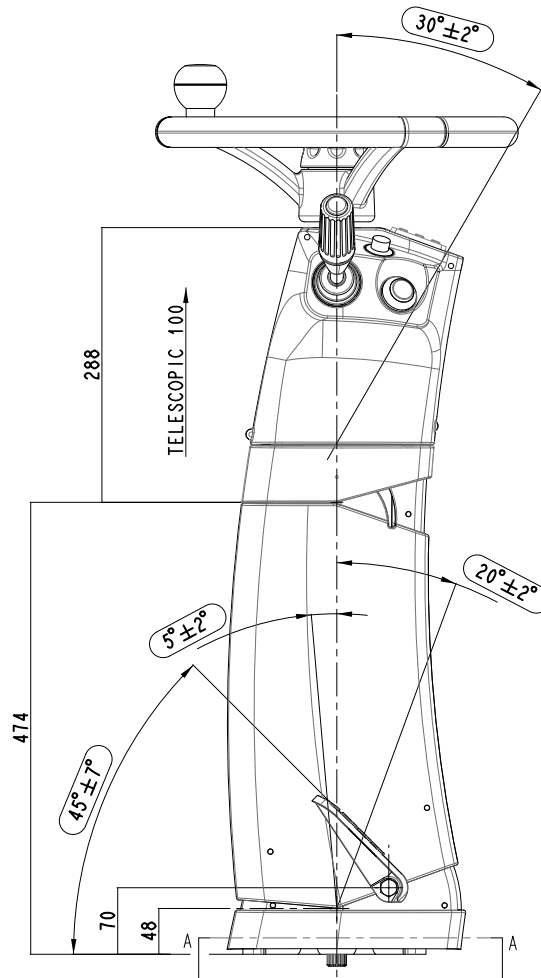
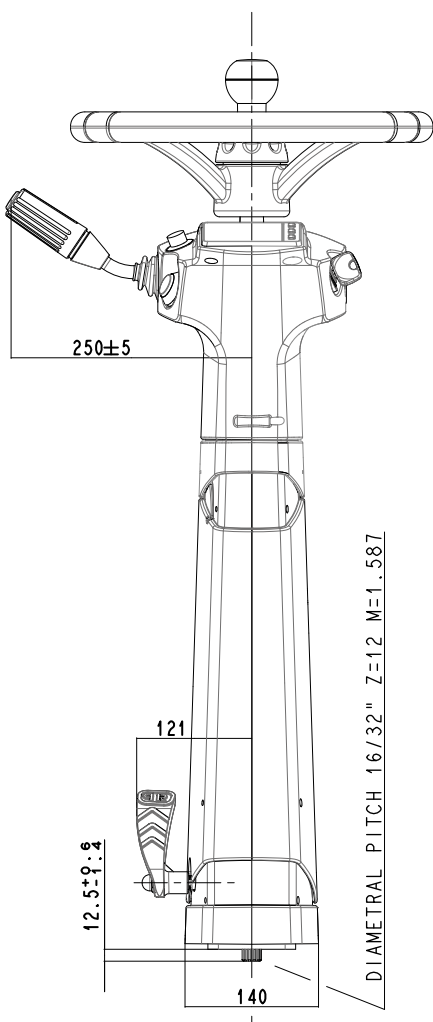
- Injection plastic covers: RAL9005 or RAL7016
- Accommodation for ignition switch
- Smart-View CanBus Digital Cluster with 2,4" display (page 31)
- Accommodation stalk switches on LH and/or RH side
- Steering wheel (pages 26, 27, 28, 29)
- Wiring harness (standard or customized)

DUAL TILT ADJUSTMENT

- Upper pivot, located at mid column length, operated by a push button on the top side (30° toward operator)
- Lower pivot located at the base of the column, operated by a dedicated pedal on left side (5° toward windshield and 20° toward operator)
- Both tilt adjustments are gas strut assisted

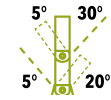
TELESCOPIC ADJUSTMENT

- Located on the upper section (50 mm)
- Operated by the center cap on the steering wheel



CL5000 J

BCH



metal pillar

tilt

60 mm

RAL 9005

RAL 7015

STANDARD FEATURES

Injection plastic covers: RAL9005 or RAL7015

Accommodation for ignition switch

Accommodation for J-Cluster or Nimbus (page 30)

Panel with 8 rocker switches

Accommodation stalk switches on LH and/or RH side

Steering wheel (pages 26, 27, 28, 29)

Wiring harness (standard or customized)

DUAL TILT ADJUSTMENT

Upper pivot, located at mid column length, operated by push lever on left side (5° toward windshield 30° toward operator)

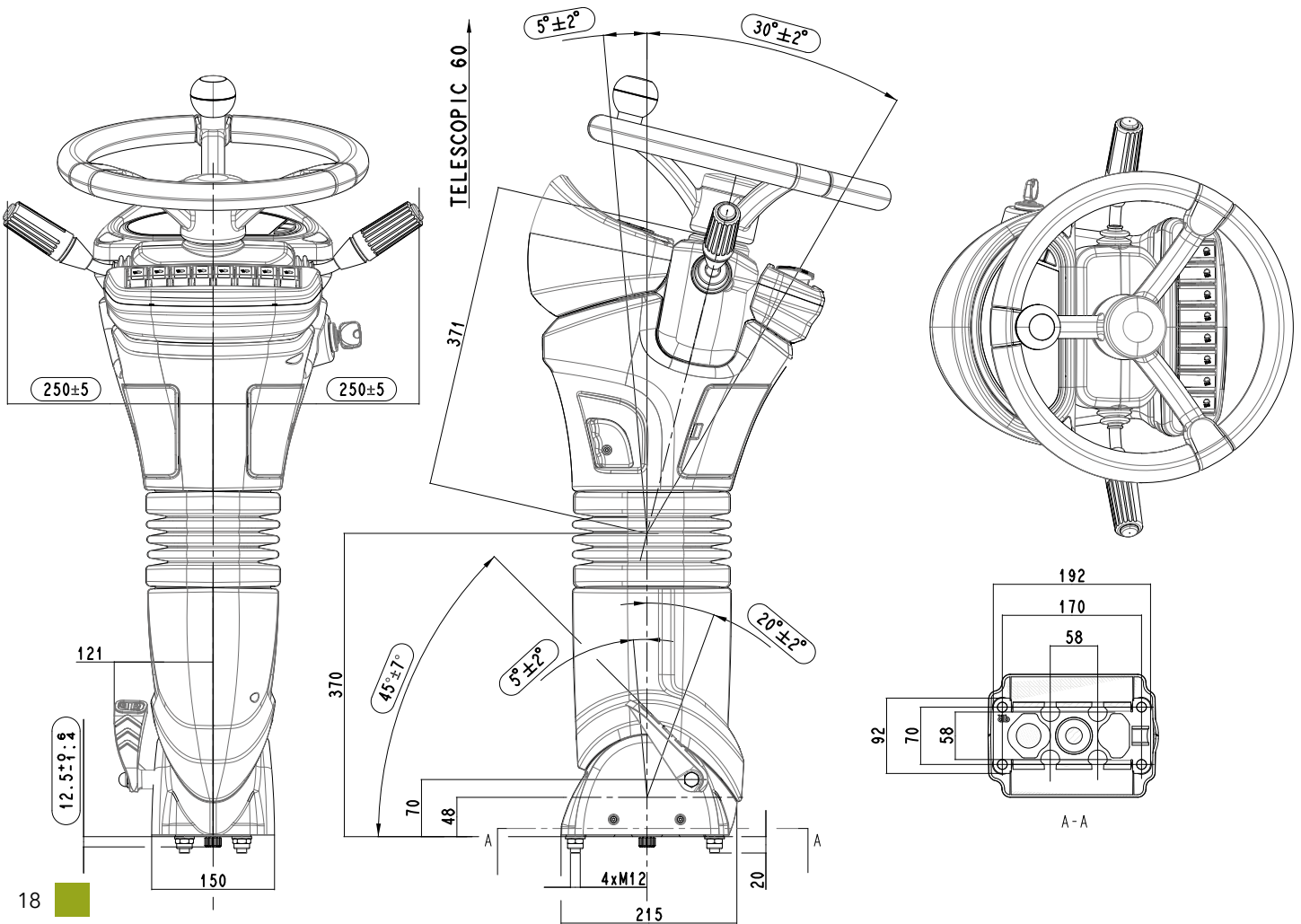
Lower pivot located at the base of the column, operated by a dedicated pedal on left side (5° toward windshield and 20° toward operator)

Both tilt adjustment are gas strut assisted

TELESCOPIC ADJUSTMENT

Located onto upper section (60 mm)

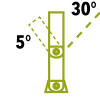
Operated by push lever on left side



CL5000 J Short

BCH

metal pillar



tilt



60 mm

■ **RAL 9005** ■ **RAL 7015**

STANDARD FEATURES

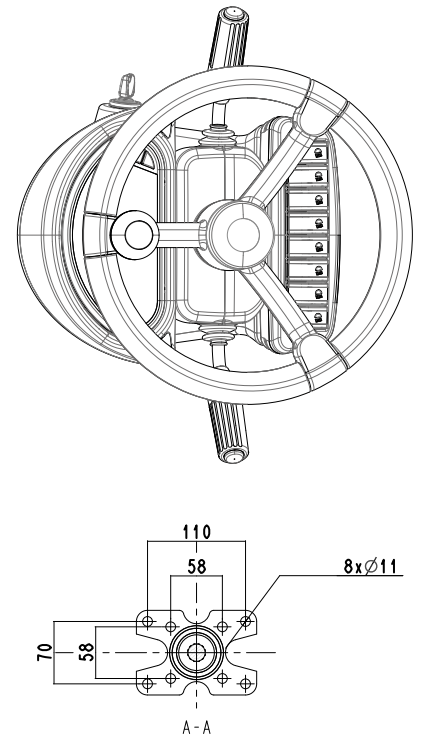
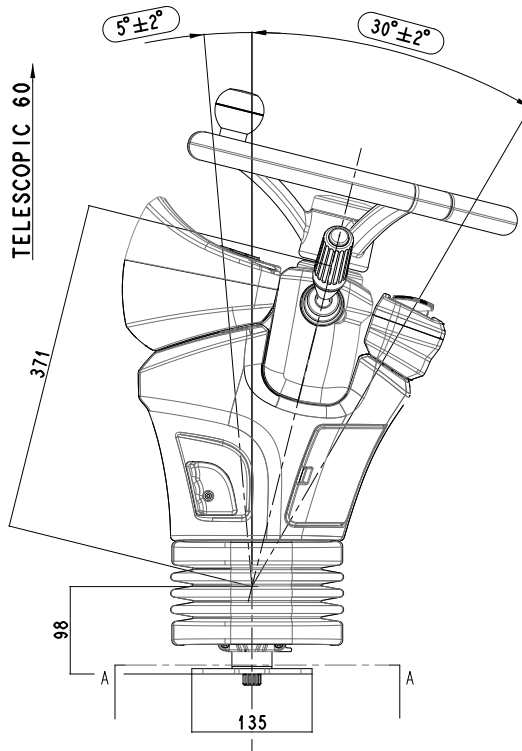
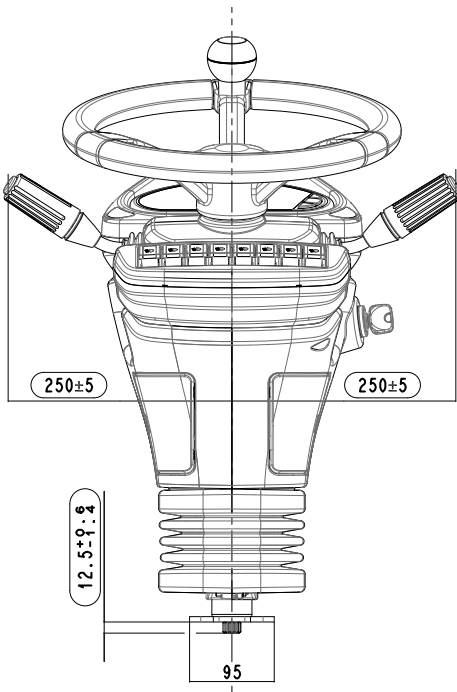
- Injection plastic covers: RAL9005 or RAL7015
- Accommodation for ignition switch
- Accommodation for J-Cluster or Nimbus (page 30)
- Panel with 8 rocker switches
- Accommodation stalk switches on LH and/or RH side
- Steering wheel (pages 26, 27, 28, 29)
- Wiring harness (standard or customized)

SINGLE TILT ADJUSTMENT

- Operated by push lever on left side (5° toward wind-shield 30° toward operator)
- Tilt adjustment are gas strut assisted

TELESCOPIC ADJUSTMENT

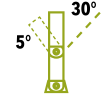
- Located onto upper section (60 mm)
- Operated by push lever on left side



CL6000

**MOXI
10**

metal pillar



tilt



100 mm

■ **RAL 9005** ■ **RAL 7016**

STANDARD FEATURES

Injection plastic covers: RAL9005 or RAL7016

Accommodation for ignition switch

Panel with 4 rocker switches or 2 KeyCan module or Smartview cluster (page 31)

Accommodation stalk switches on LH and/or RH side

Option steering wheel (pages 26, 27, 28)

Wiring harness (standard or customized)

SINGLE TILT ADJUSTMENT

Upper pivot operated by 1° step of pedal on bottom side (5° toward windshield and 30° toward operator)

Tilt adjustment is gas strut assisted

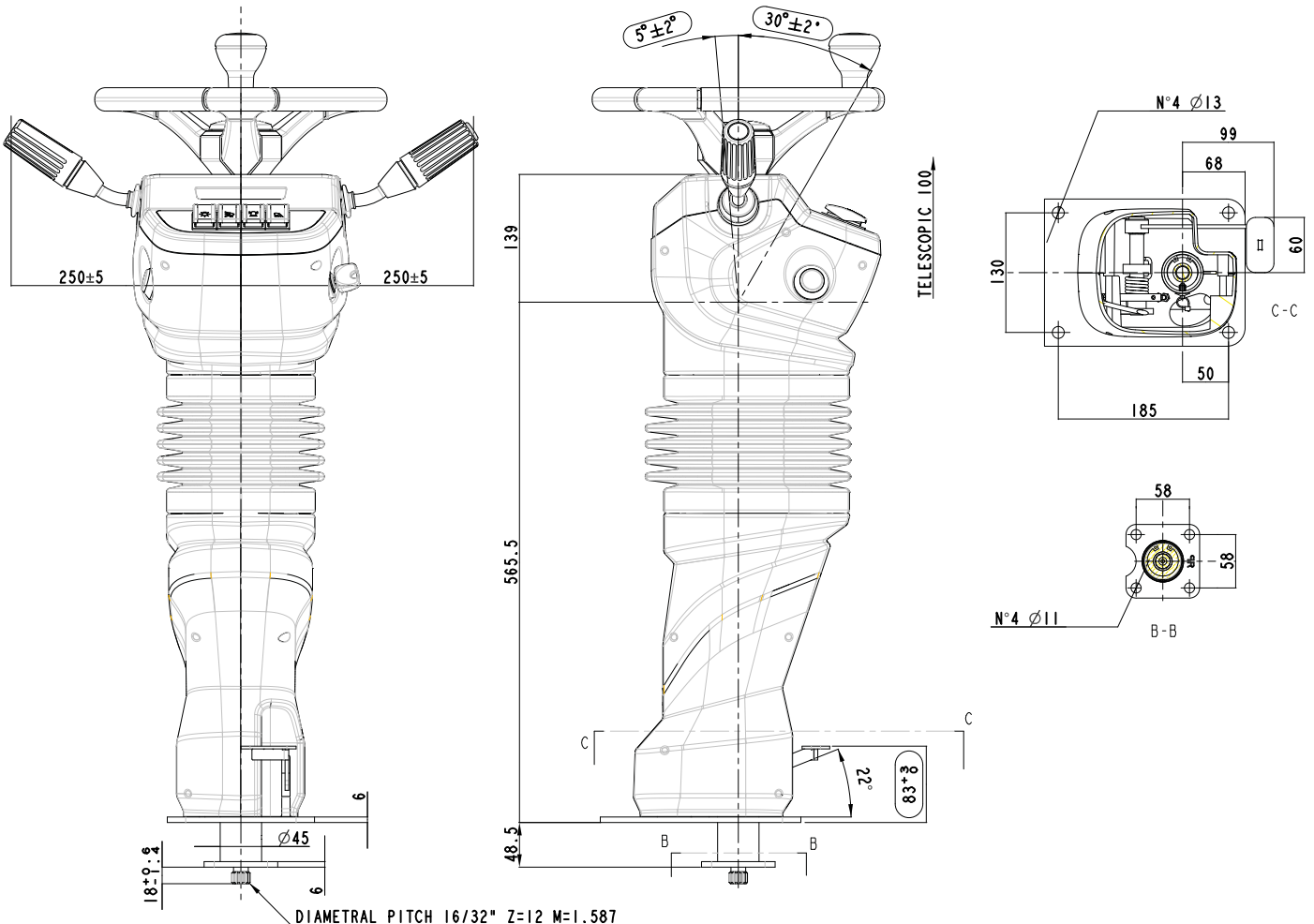
TELESCOPIC ADJUSTMENT

Located onto upper section (100 mm)

Operated by 2° step of pedal on bottom side

CLUSTER OPTION

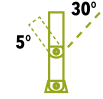
On all the serie CL 6000 is possible to have it with different kind of clusters: D100TFT or NIMBUS (see images page 21)



CL6000 Short

MOXI 10

metal pillar



tilt



100 mm

RAL 9005 **RAL 7016**

STANDARD FEATURES

Injection plastic covers: RAL9005 or RAL7016

Accommodation for ignition switch

Panel with 4 rocker switches or 2 KeyCan module or Smartview cluster (page 31)

Accommodation stalk switches on LH and/or RH side

Option steering wheel (pages 26, 27, 28)

Wiring harness (standard or customized)

SINGLE TILT ADJUSTMENT

Operated by 1° step handle lever on left side (5° toward windshield and 30° toward operator)

TELESCOPIC ADJUSTMENT

Located onto upper section (100 mm)

Operated by 2° step handle lever on left side

CLUSTER OPTION

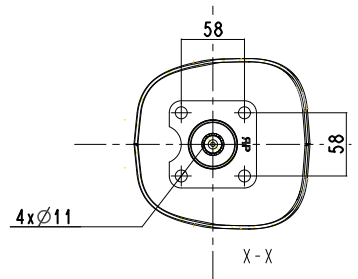
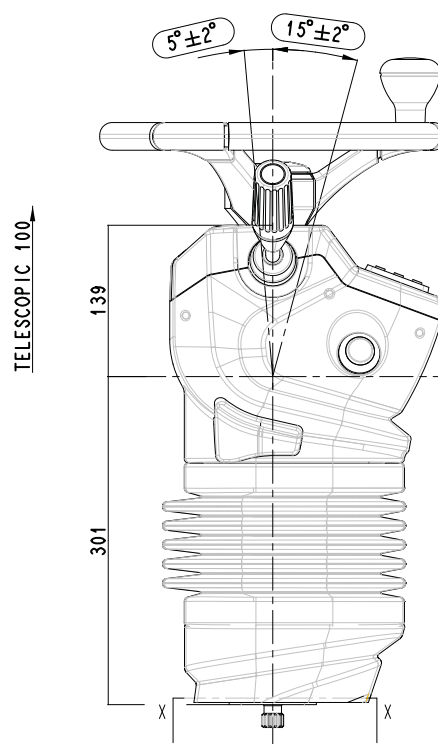
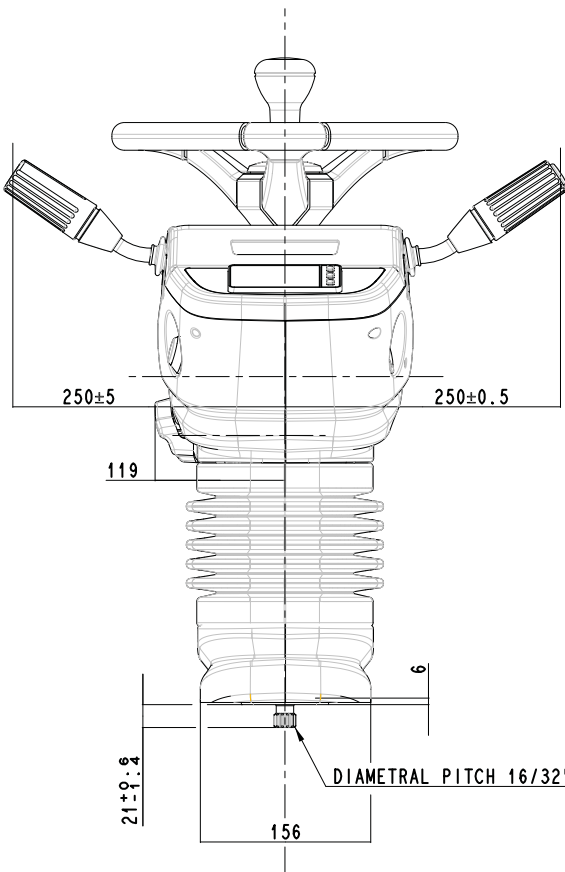
On all the serie CL 6000 is possible to have it (see images on the side)



With D100TFT Cluster Option (pag. 30)



With NIMBUS Cluster Option (pag. 30)



CL7000

BCH

metal pillar



tilt



60 mm

■ **RAL 9005** ■ **RAL 7016**



STANDARD FEATURES

Injection plastic covers: RAL9005 or RAL7016

Accommodation for ignition switch

Accommodation for Smart View Cluster with 2,4" display (page 31)

Panel with 7 rocker switches

Accommodation stalk switches on LH and/or RH side

Option steering wheel (pages 26, 27, 28)

Wiring harness (standard or customized)

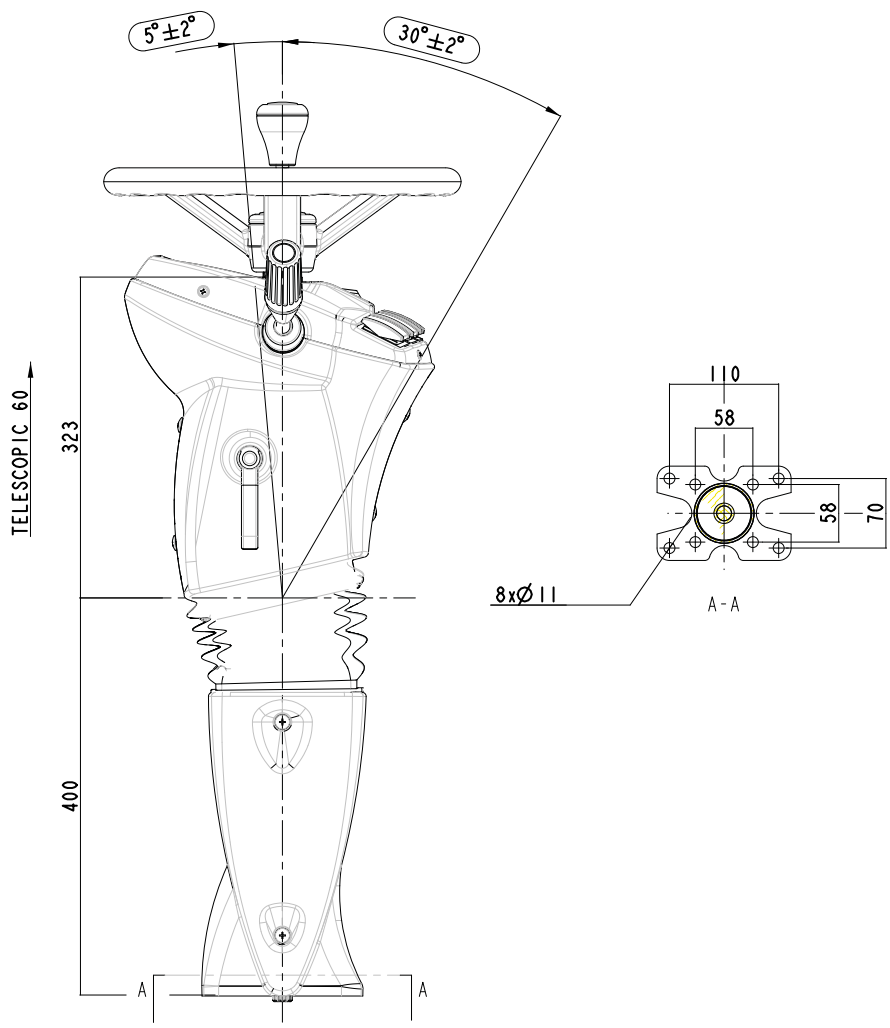
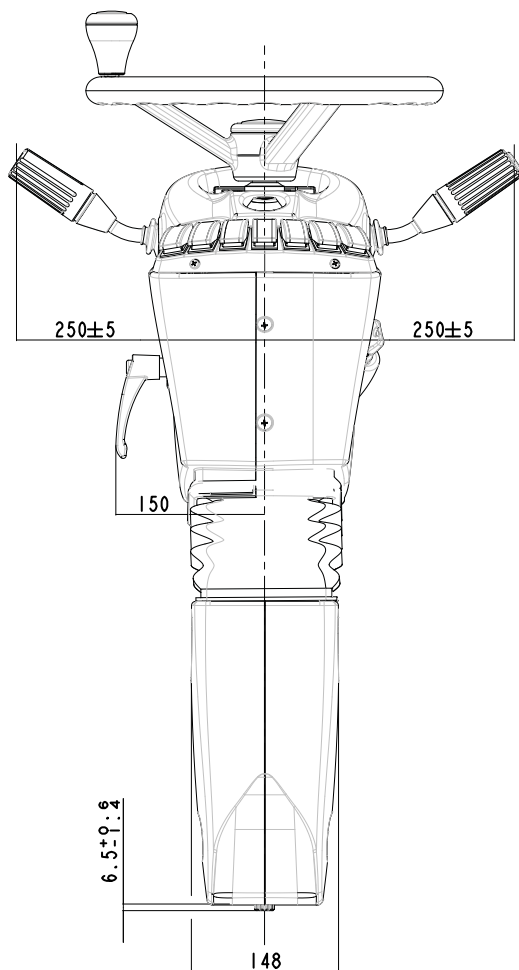
SINGLE TILT ADJUSTMENT

Operated by handle lever on left side (5° toward wind-shield 30° toward operator)

TELESCOPIC ADJUSTMENT

Located onto upper section (60 mm)

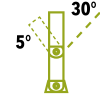
Operated by handle lever on left side



CL7000 Short

BCH

metal pillar



tilt



60 mm

RAL 9005 **RAL 7016**



STANDARD FEATURES

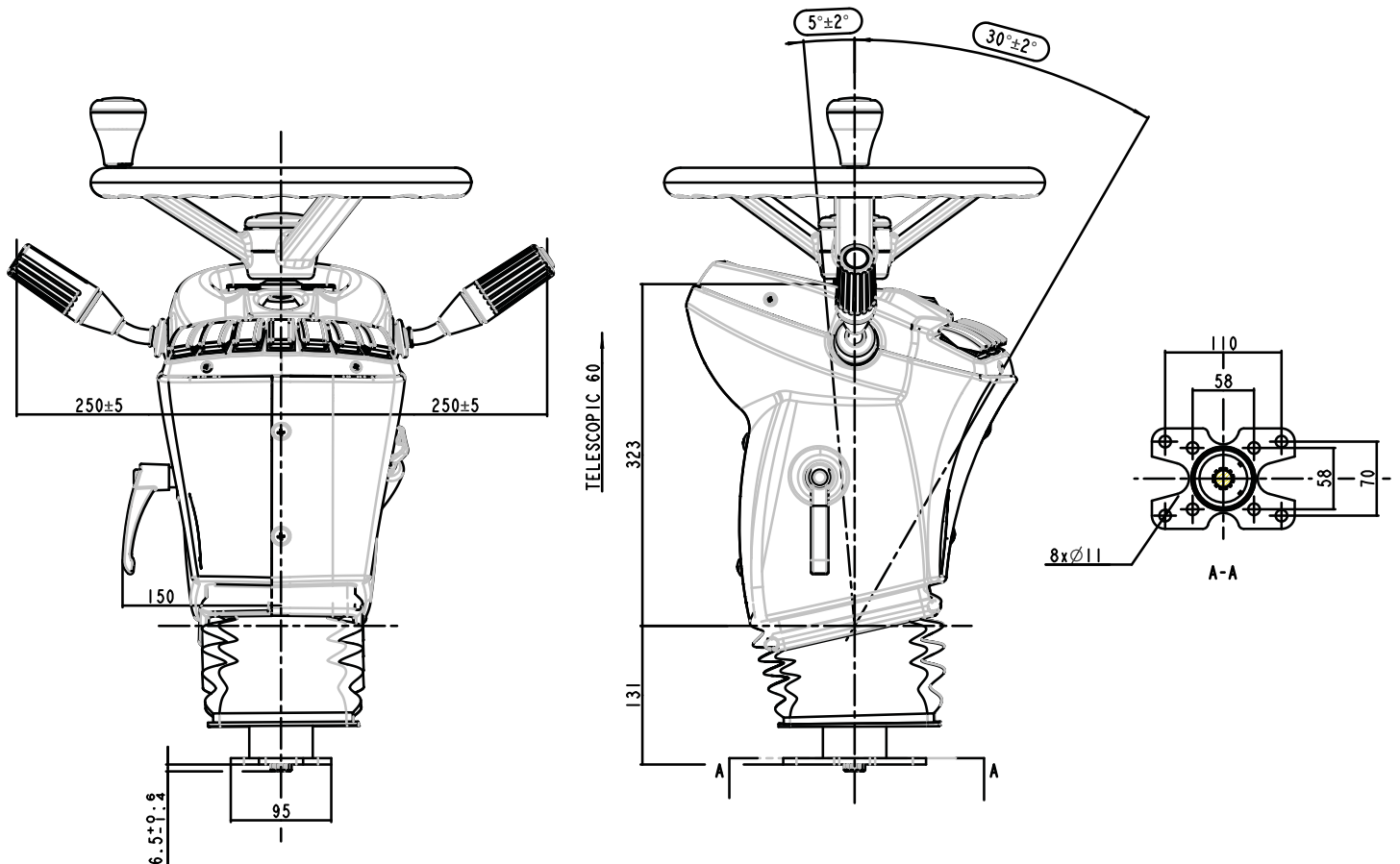
- Injection plastic covers: RAL9005 or RAL7016
- Accommodation for ignition switch
- Accommodation for Smart View Cluster with 2,4" display (page 31)
- Panel with 7 rocker switches
- Accommodation stalk switches on LH and/or RH side
- Option steering wheel (pages 26, 27, 28)
- Wiring harness (standard or customized)

SINGLE TILT ADJUSTMENT

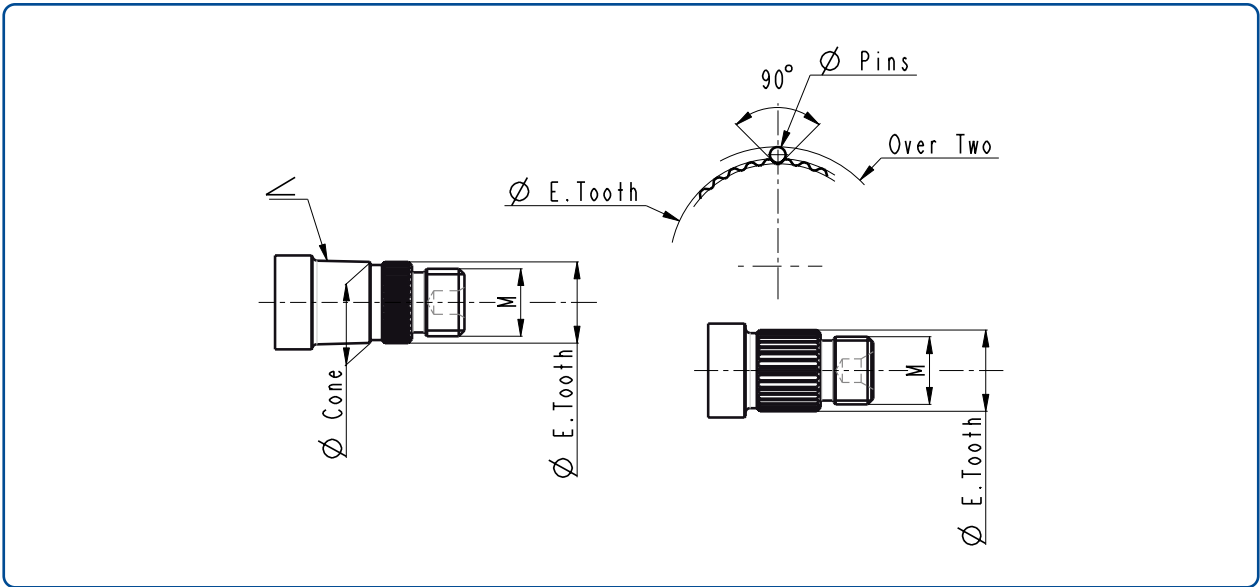
Operated by handle lever on left side (5° toward wind-shield 30° toward operator)

TELESCOPIC ADJUSTMENT

Located onto upper section (60 mm)
Operated by handle lever on left side



Standard cone



PERTEX STANDARD CONE: TOOTH Z=

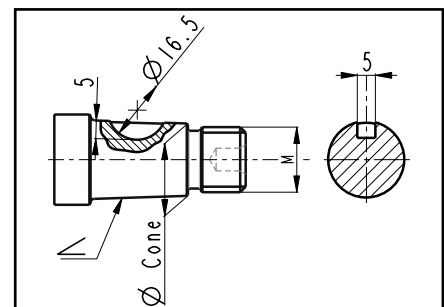
CONE NUMBER	THREAD M	CONE TOPER	< CONE	Ø CONE	Ø E. TOOTH	TOOTH	Ø PINS	OVER TWO
3	M=18x1.5	1:16	1°47'23"	21.0	20.5	36	1.35	22.16
4	M=18x1.5	1:19.26	1°29'14"	21.55	21.7	36	1.587	24.12
5	M=18x1.5	1:19.26	1°29'14"	21.84	21.7	36	1.587	24.12
20	M=16x1.5	1:12	2°23'10"	17.9	17.4	40	1.320	19.48
24	M=16x1.5	1.46:20	2°5'25"	18.16	17.5	36	1.35	19.35
29	M=14x1.5	1:4.15	6°52'03"	16.5	15.8	36	1.320	17.72
35	M=16x1.5	1:3.43	8°17'37"	19.4	19.0	48	0.96	20.1

PERTEX WHEEL ATTACK: TOOTH Z=

CONE NUMBER	THREAD M	CONE TOPER	< CONE	Ø CONE	Ø E. TOOTH	TOOTH	Ø PINS	OVER TWO
18	M=16x2	-	-	-	19.6	38	0.96	20.43
28	M=18x1.5	-	-	-	23.95	24	2.25	26.65
32	M=18x1.5	-	-	-	21.7	36	1.587	24.12

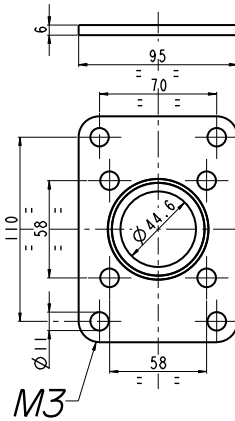
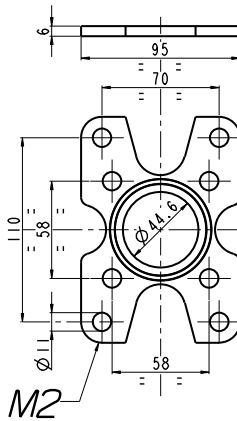
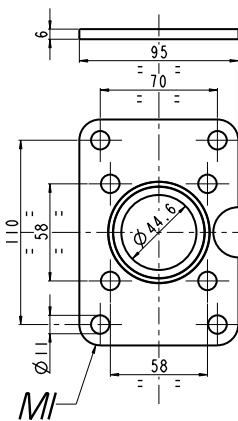
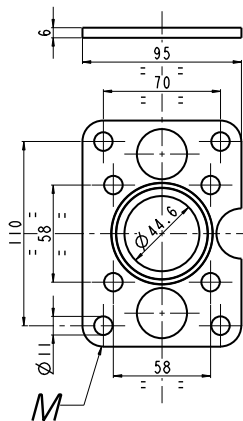
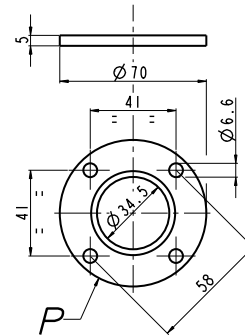
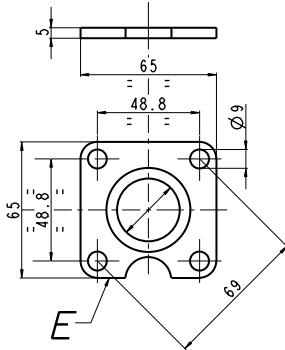
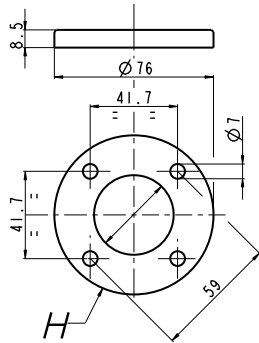
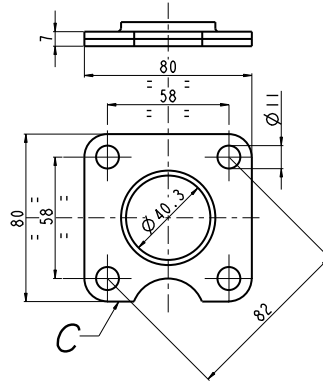
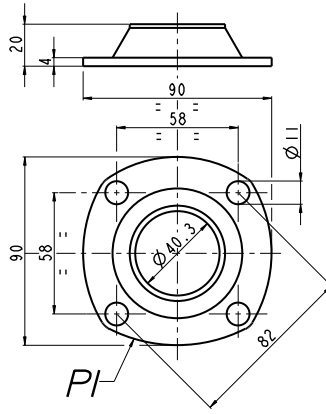
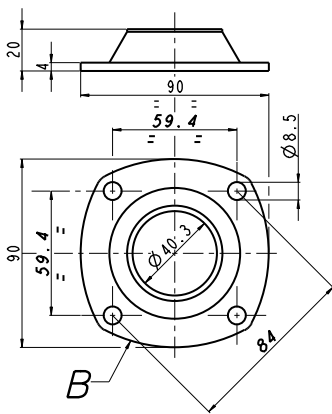
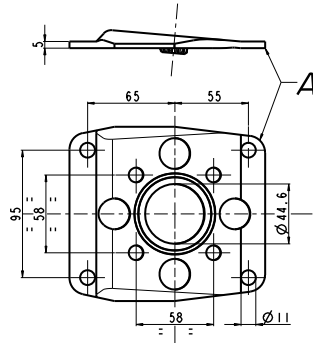
PERTEX STANDARD CONE: WOODRUFF 5X6.5

CONE NUMBER	THREAD M	CONETOPER	< CONE	Ø CONE
1	M=18x1.5	1:20	1°25'55"	23.2
2	M=18x1.5	1:20	1°25'55"	20.53
6	M=16x1.5	1:8	3°34'34"	18.6
7	M=16x1.5	1:7.5	3°48'50"	18.2
21	M=18x1.5	1:16	1°47'23"	20.0

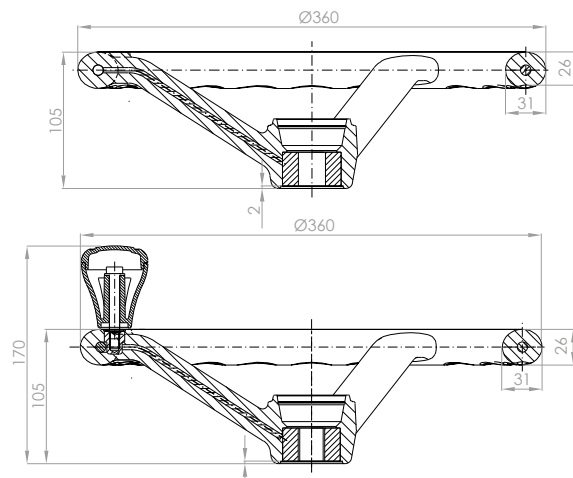
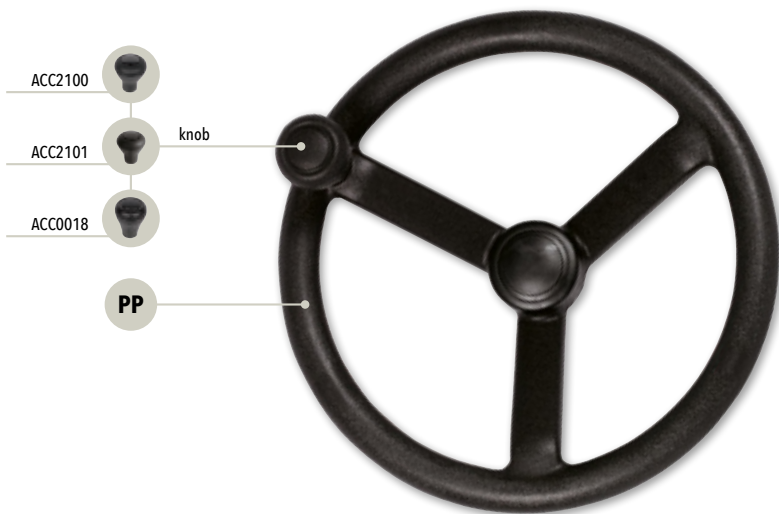


Standard flange

Options flanged available

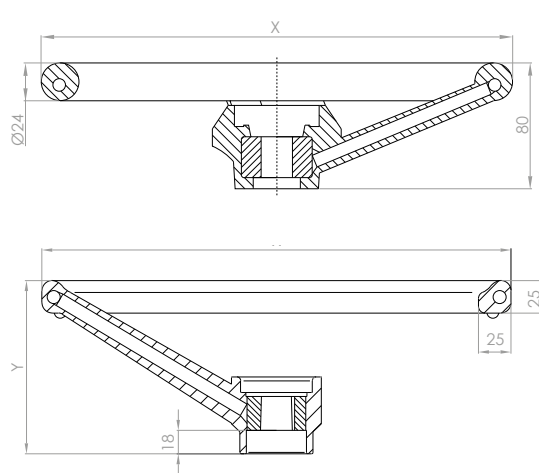


SERIE 6 Polypropylene



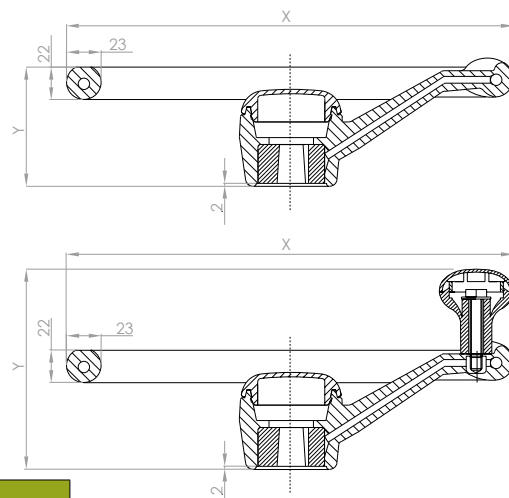
Part Number	A	B	C	D	Teeth	Taper	E	F	G	H
VOL1636C2	45	26	/	/	/	1:7,5	19,20	/	11,65	5
VOL1636C5	45	26	/	/	/	1:7,5	21,60	/	12,30	5
VOL1636DA	45	26	/	/	/	1:20	24,80	/	15,40	5
VOL1636D4	45	26	13	20,78	36	1:19,26	23,02	22,04	/	/
VOL163618	45	26	/	18,30	36	/	/	19,80	/	/

SERIE 8 Polypropylene



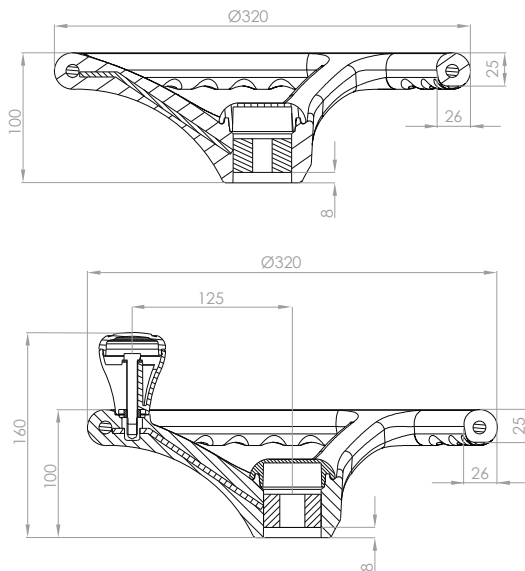
Part Number	X	A	B	Teeth	Taper	E	G	H	Y
VOL200	300	45	26	/	1:7,5	19,20	11,65	5	/
VOL300	360	45	26	/	1:7,5	19,20	11,65	5	133
VOL301	360	45	26	/	1:7,5	21,60	12,30	5	133
VOL302	360	45	26	/	1:20	24,80	15,40	5	133
VOL400	395	45	26	/	1:7,5	19,20	11,65	5	93
VOL401	395	45	26	/	1:7,5	21,60	12,30	5	93
VOL402	395	45	26	/	1:20	24,80	15,40	5	93
VOL500	435	45	26	/	1:7,5	21,60	12,30	5	142
VOL501	435	45	26	/	1:20	24,80	15,40	5	142

SERIE 9 Polypropylene



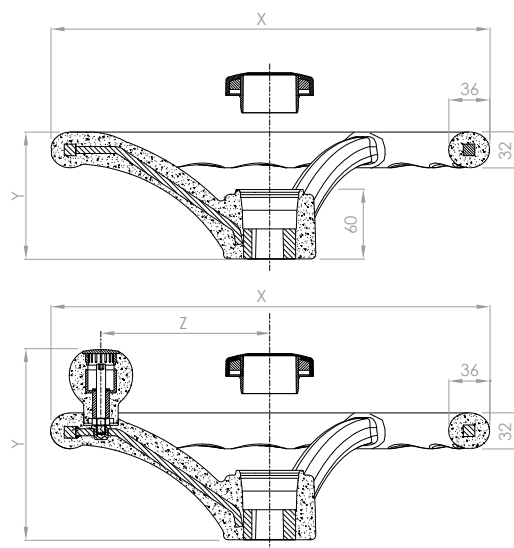
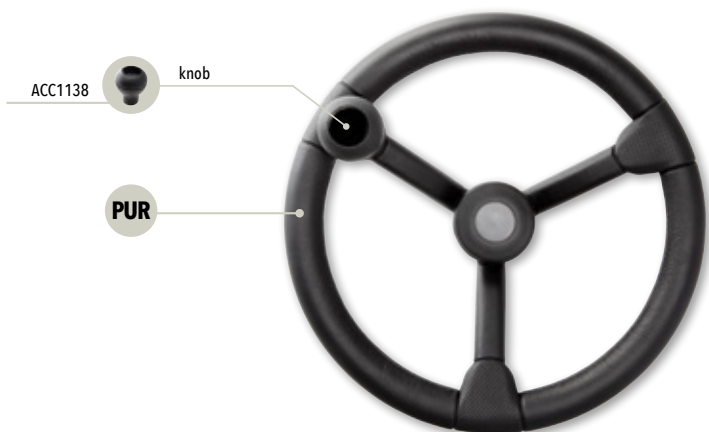
Codice Part Number	X	Y	A	B	C	D	Denti Teeth	Cono Taper	E	F	G	H
VOL1930C2	300	81	45	26	/	/	/	1:7,5	19,20	/	11,65	5
VOL1930C2P	300	131	45	26	/	/	/	1:7,5	19,20	/	11,65	5
VOL1930DA	300	81	45	26	/	/	/	1:20	24,80	/	15,40	5
VOL1936C2	360	100	45	26	/	/	/	1:7,5	19,20	/	11,65	5
VOL1936C5	360	100	45	26	/	/	/	1:7,5	21,60	/	12,30	5
VOL1936DA	360	100	45	26	/	/	/	1:20	24,80	/	15,40	5
VOL1936DAP	360	150	45	26	/	/	/	1:20	24,80	/	15,40	5
VOL193680	360	130	45	26	16	16,60	40	1:12	18,86	17,82	/	/

SERIE 10 Polypropylene



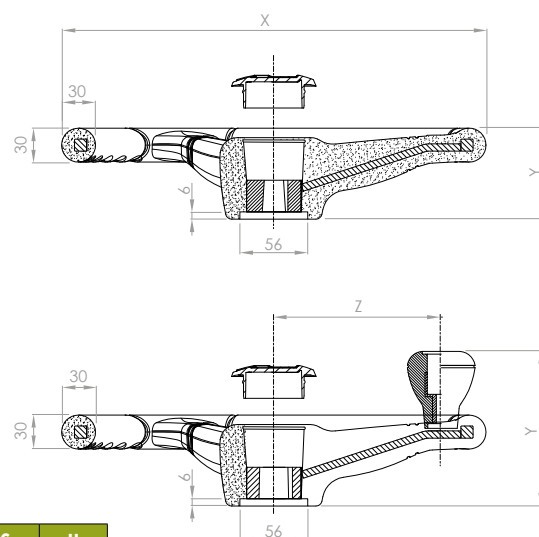
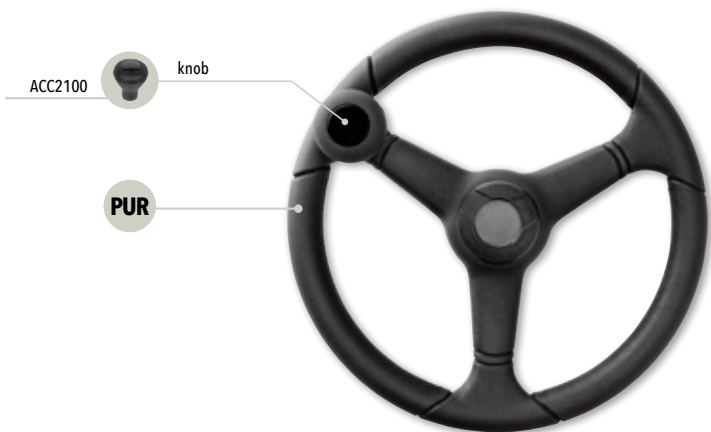
Codice Part Number	A	B	C	D	Denti Teeth	Cono Taper	E	F	G	H
VOL1032C2	45	26	/	/	/	1:7,5	19,20	/	11,65	5
VOL1032DA	45	26	/	/	/	1:20	24,80	/	15,40	5
VOL1032D4	45	26	13	20,78	36	1:19,26	23,02	22,04	/	/
VOL1032ET	45	26	18	16,627	40	1:12	18,86	17,826	/	/
VOL1032ET2	45	26	/	/	/	1:7,6	19,64	/	12,40	5
VOL1032MI	45	26	/	/	/	1:20	17,40	/	12	5

SERIE 11 Polyurethane



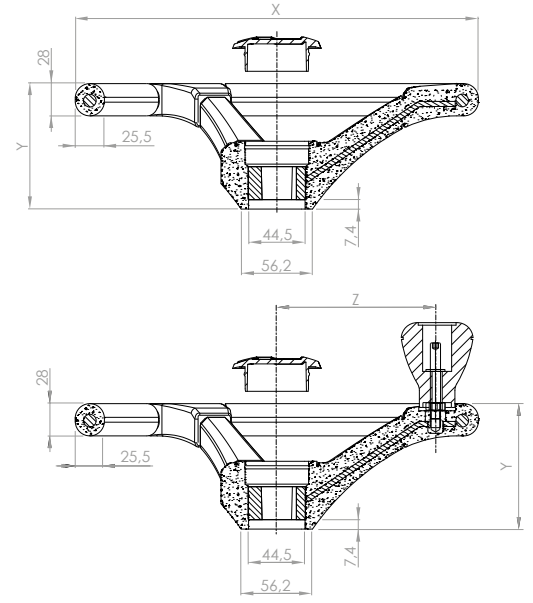
Part Number	X	Y	Z	A	B	C	D	Teeth	Taper	E	F	G	H
VOL11138DA	380	110	/	45	26	/	/	/	1:20	23,20	/	15,40	5
VOL11138DAP	380	165	143	45	26	/	/	/	1:20	23,20	/	15,40	5
VOL11138D4	380	110	/	45	26	13	20,78	36	1:19,26	21,50	22,04	/	/
VOL11138D4P	380	165	143	45	26	13	20,78	36	1:19,26	21,50	22,04	/	/
VOL11138T3	380	110	/	45	26	14,50	19,38	36	1:16	20,95	20,68	/	/
VOL11138T3P	380	165	143	45	26	14,50	19,38	36	1:16	20,95	20,68	/	/
VOL11138AU	380	110	/	45	26	/	/	/	1:20	20,53	/	14,30	5
VOL11138AUP	380	165	143	45	26	/	/	/	1:20	20,53	/	14,30	5
VOL111405DA	405	125	/	45	26	/	/	/	1:20	23,20	/	15,40	5
VOL111405DAP	405	182	161	45	26	/	/	/	1:20	23,20	/	15,40	5
VOL111405D4	405	125	/	45	26	13	20,78	36	1:19,26	21,50	22,04	/	/
VOL111405D4P	405	182	161	45	26	13	20,78	36	1:19,26	21,50	22,04	/	/
VOL111405T3	405	125	/	45	26	14,50	19,38	36	1:16	20,95	20,68	/	/
VOL111405T3P	405	182	161	45	26	14,50	19,38	36	1:16	20,95	20,68	/	/

SERIE 12 Polyurethane



Part Number	X	Y	Z	A	B	C	D	Teeth	Taper	E	F	G	H
VOL11235DA	350	75	/	45	26	/	/	/	1:20	23,20	/	15,40	5
VOL11235DAP	350	128	138	45	26	/	/	/	1:20	23,20	/	15,40	5
VOL11235D4	350	75	/	45	26	13	20,78	36	1:19,26	21,50	22,04	/	/
VOL11235D4P	350	128	138	45	26	13	20,78	36	1:19,26	21,50	22,04	/	/
VOL11235T3	350	75	/	45	26	14,50	19,38	36	1:16	20,95	20,68	/	/
VOL11235T3P	350	128	138	45	26	14,50	19,38	36	1:16	20,95	20,68	/	/
VOL11235C2	350	75	/	45	26	/	/	/	1:7,9	15,90	/	11,65	5
VOL11235C2P	350	128	138	45	26	/	/	/	1:7,9	20,53	/	14,30	5

SERIE 18 Polyurethane



PART NUMBER	X	Y	Z	A	B	C	D	TEETH	TAPER	E	F	G	H
VOL1832AU	320	100	/	45	26	/	/	/	1:20	23,20	/	15,40	5
VOL1832DA	320	100	/	45	26	/	/	/	1:20	23,20	/	15,40	5
VOL1832DAP	320	162	125	45	26	/	/	/	1:20	23,20	/	15,40	5
VOL1832D4	320	100	/	45	26	13	20,78	36	1:19,26	21,50	22,04	/	/
VOL1832D4P	320	162	125	45	26	13	20,78	36	1:19,26	21,50	22,04	/	/
VOL1832C2	320	100	/	45	26	/	/	/	1:7,9	15,90	/	11,65	5
VOL1832C2P	320	162	125	45	26	/	/	/	1:7,9	20,53	/	14,30	5

KNOB



PP

ACC0018
Polypropylene knob



PUR

ACC2100
Polyurethane knob



PUR

ACC2101
Polyurethane knob



PUR

ACC1138
Polyurethane knob

CLUSTER

J-CLUSTER



Combines the features of traditional pointer indicators with the performance and flexibility of LCD TFT color high resolution display. Specifically designed for harsh environmental application, J-Cluster is the right instrument for machinery with and without cabin.

NIMBUS



Cluster in solid state solution, with display 5" TFT color 800 cd (IPS technology) and 7 led indicators. Powerfull microcontroller and large memory size: 32bit, 8 Mb Flash and 8 Mb Ram.

D100TFT



D100TFT is equipped with display 2,4" TFT color high-brightness in IPS technology, canbus line SAE J1939 and several inputs and outputs that allow to manage optional functions.

DISPLAY

SMARTVIEW



SMARTVIEW is an ultra-compact instrument equipped with a TFT color display 2,4", 5 LED indicators and 3 pushbuttons. Suitable for applications where space is limited, it is able to manage and display all the information on the machine. Able to connect both via CANBUS and with "traditional" signals, it is the right compromise between cost-effectiveness and high performance.

SLIMITAN



Is presented as the new line of instruments designed for applications where minimum space and maximum flexibility are required, combined with high visual performance and structural robustness. With a minimal design, SLIMITAN fits perfectly into any type of dashboard. Equipped with a capacitive touchscreen managed by an intelligent algorithm, they ensure excellent optical performance as well as the possibility of using the touch function even while wearing protective gloves.

STEERING VIEW



Is an innovative steering wheel in which there is a multifunction dashboard with a high-brightness display in 7" wide screen TFT LCD technology and 800x480 resolution. Steering View meets the needs of those who need maximum visibility in the cab by giving the possibility to manage and view all the parameters of the machine. The instrument in the center of the steering wheel has the peculiarity of remaining fixed, thus allowing maximum ergonomics and functionality.

KEYCAN

KEYCAN



Is a new concept of modular keypad that allows you to customize the design of the dashboard according to your needs. The 4 pushbuttons that make up the keyboard are easily customizable. Each of them is equipped with 3 RGB LEDs that indicate its status and allow you to adjust the intensity of the 7 different possible colors. The keys also have a seat to accommodate a plastic plate on which the desired symbol is lasered. KeyCAN is programmable via CANBUS and equipped with the J1939 stack. The keyCAN can be mounted horizontally or vertically thanks to the possibility of freely positioning the keys.



IMEL Division

Via Repubblica, 7 - 41011 Campogalliano, MO (Italy)
Tel. +39 0522 636911 - Fax. +39 0522 695753
www.ama.it - ama@ama.it

**AMA S.p.A.
Accessori Macchine Agricole**

Via Giacomo Puccini, 28 - 42018 San Martino in Rio (RE) Italy
Tel. +39 0522 636911 - Fax +39 0522 695753
www.ama.it - ama@ama.it