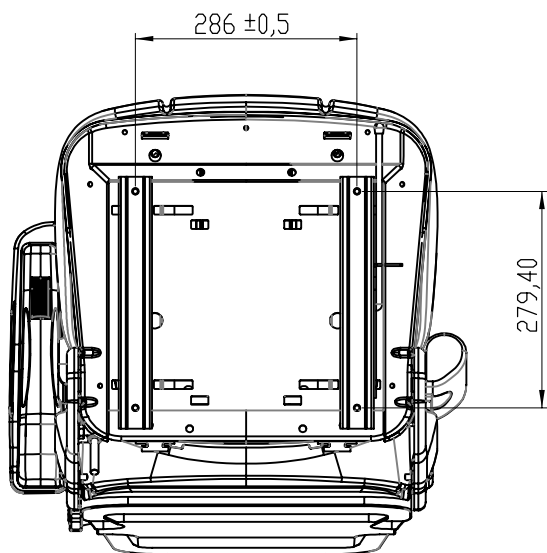


Weight adjustment
50-120 Kg

Backrest adjustment

653 ±5



PRE-TRATTAMENTO SUPERF. (1st SURF. TREATMENT)	TRATTAMENTO SUPERF. FINALE (LAST SURF. TREAT)		QUANTITA' (Q.TY)	RUGOSITA' SUPERF. (SURF. ROUGHN.)	
TRATT. TERMICO (HEAT TREATMENT)	PESO GREZZO (RAW W) (Kg)	PESO FINITO (FINAL W) (Kg)	FOGLIO (SHEET)	✓ [1.6 / 3.2 / 6.3]	
TOLLERANZE GENERALI CARP. (GENERIC CARPENTRY TOLERANCES) :					
CESOIA (SHEARING), PIEGA (BENDING) E OSSITAGLIO (DXYCUTTING) : ± 1 mm - SALDATURA (WELDING) : ± 2 mm - PIEGATURA (BENDING) : ± 1°			SMUSSI NON QUOT. : 1X45° - RAGGI : R0,5 (CHAMFERS WITHOUT TOL. : 1 X 45° - FILLETS : R0,5)		
DIM LINE AND ANG. (LIN. & ANG. DIM)	F	FINE	H	GRADO DI PREC. PER QUOTE LINEARI E ANGOLARI SENZA TOLLERANZA SECONDO UNI-EN 22768-1 (PREC. LEVEL FOR LINEAR AND ANGULAR DIMENSIONS WITHOUT TOL. ACCORDING UNI-EN 22768-1)	
	M	MEDIA (MEDIUM)	K		
	C	GROSSOLANA (COARSE)	L	GRADO DI PREC. PER TOLLERANZE GEOMETRICHE GENERALI SECONDO UNI-EN 22768-2 (PREC. LEVEL FOR GENERIC GEOMETRIC TOL. ACCORDING UNI-EN 22768-2)	
	V	MOLTO GROSSOLANA (VERY COARSE)	-		
DISEGNATO (DRAWN) :		MATERIALE (MATERIAL) :			
CONTROLATO (CHKD) :		DESCRIZIONE (DESCRIPTION) :			
		SEAT MUL020 + ALR SAFETY BELTS + DX ARMREST+ BLACK SKAI			
		COD. ATRZ. (TODL REF.) : --		CODICE (REF.) :	
CAMPAGNOLA (RE) - ITALY		DATA (DATE) 22/12/2021	SCALA (SCALE) 1/5		MUL02016MDDX286

A3